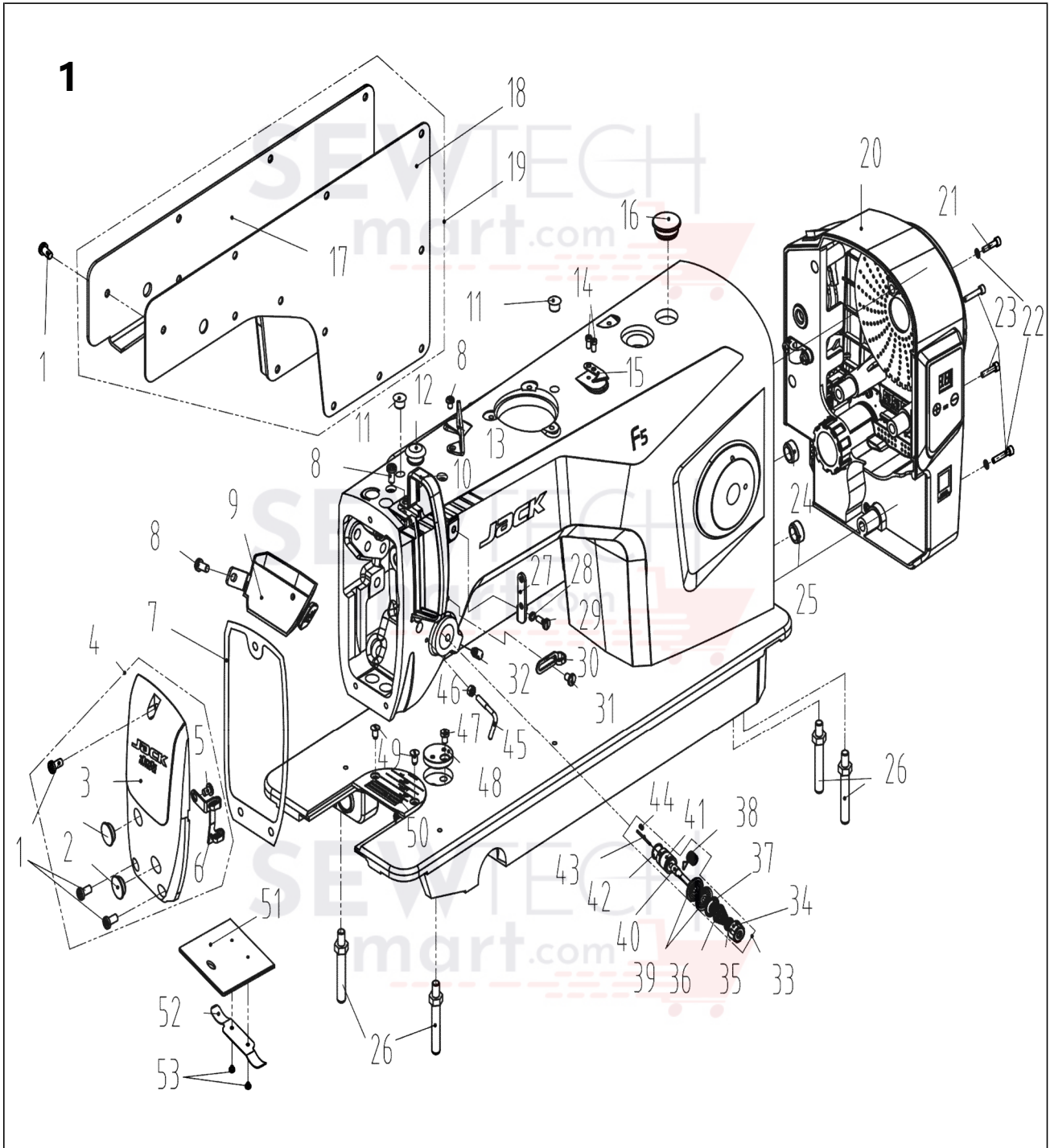


JACK 杰克

快速服务 100%

F5 系列
F5 Series

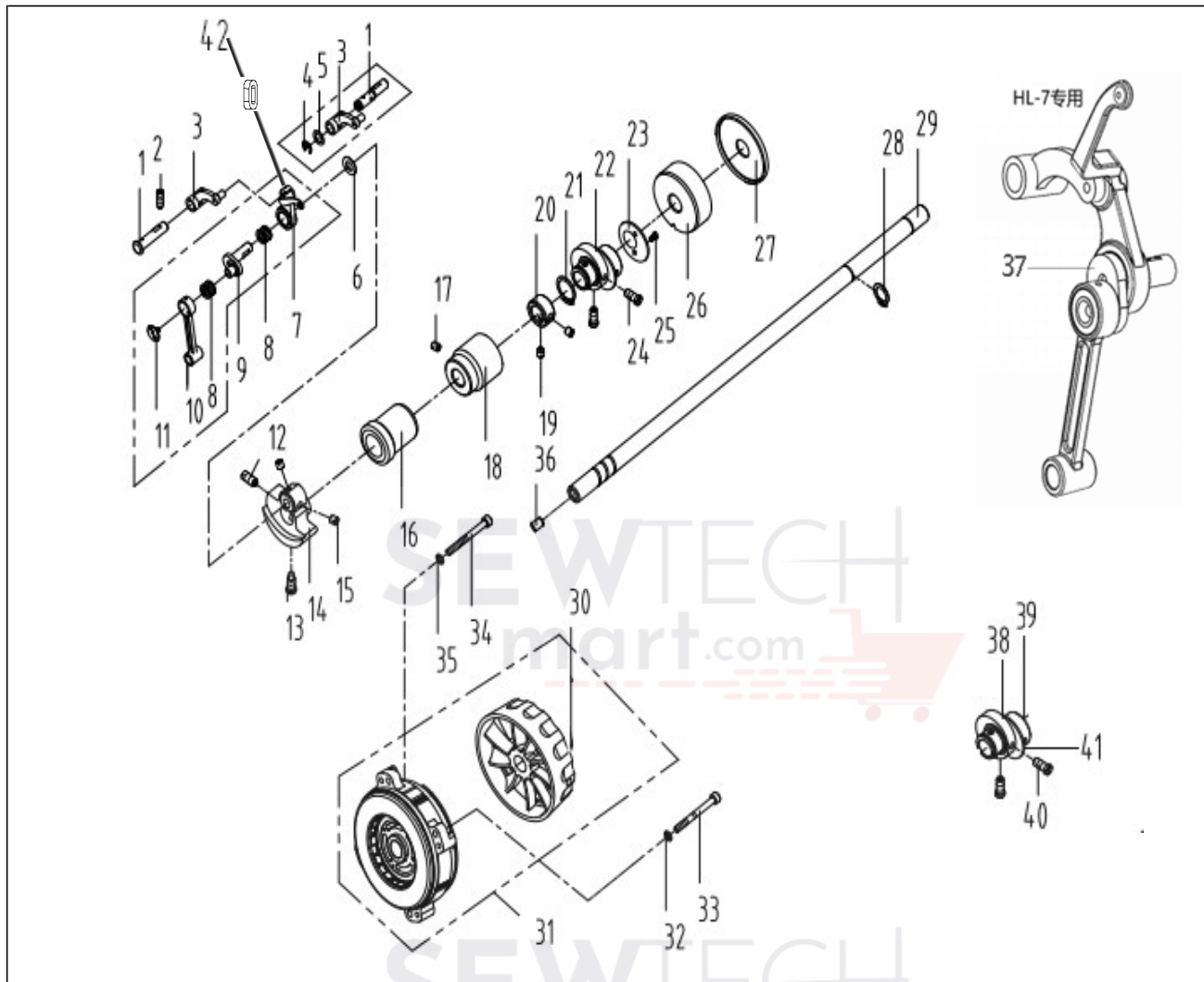
零件手册
Parts Manual



1. 机壳、外装分组件/Machine Frame & Miscellaneous Cover Components

| 序号 NO | 公司件号 Part NO | 名称 PartName | 零件描述 Description | 数量 Number |
|----------|-----------------|-------------------|--------------------------|--------------|
| 1 | 101S11001 | 螺钉SM3/16"×28 L=9 | Screw SM3/16"×28 L=9 | 14 |
| 2 | 10122003 | 面板调节孔螺塞 | Rubber plug | 2 |
| 3 | 110201010 | 面板 | Face plate | 1 |
| 4 | 930000981 | 面板(喷漆) | Face plate (spray paint) | 1 |
| 5 | 101S11007 | 螺钉SM11/64"×40 L=6 | Screw SM11/64"×40 L=6 | 1 |
| 6 | 13813005 | 左线钩 | Thread guide left | 1 |
| 7 | 110222006 | 面板垫 | Face plate gasket | 1 |
| 8 | 101S11004 | 螺钉SM3/16"×28 L=7 | Screw SM3/16"×28 L=7 | 3 |

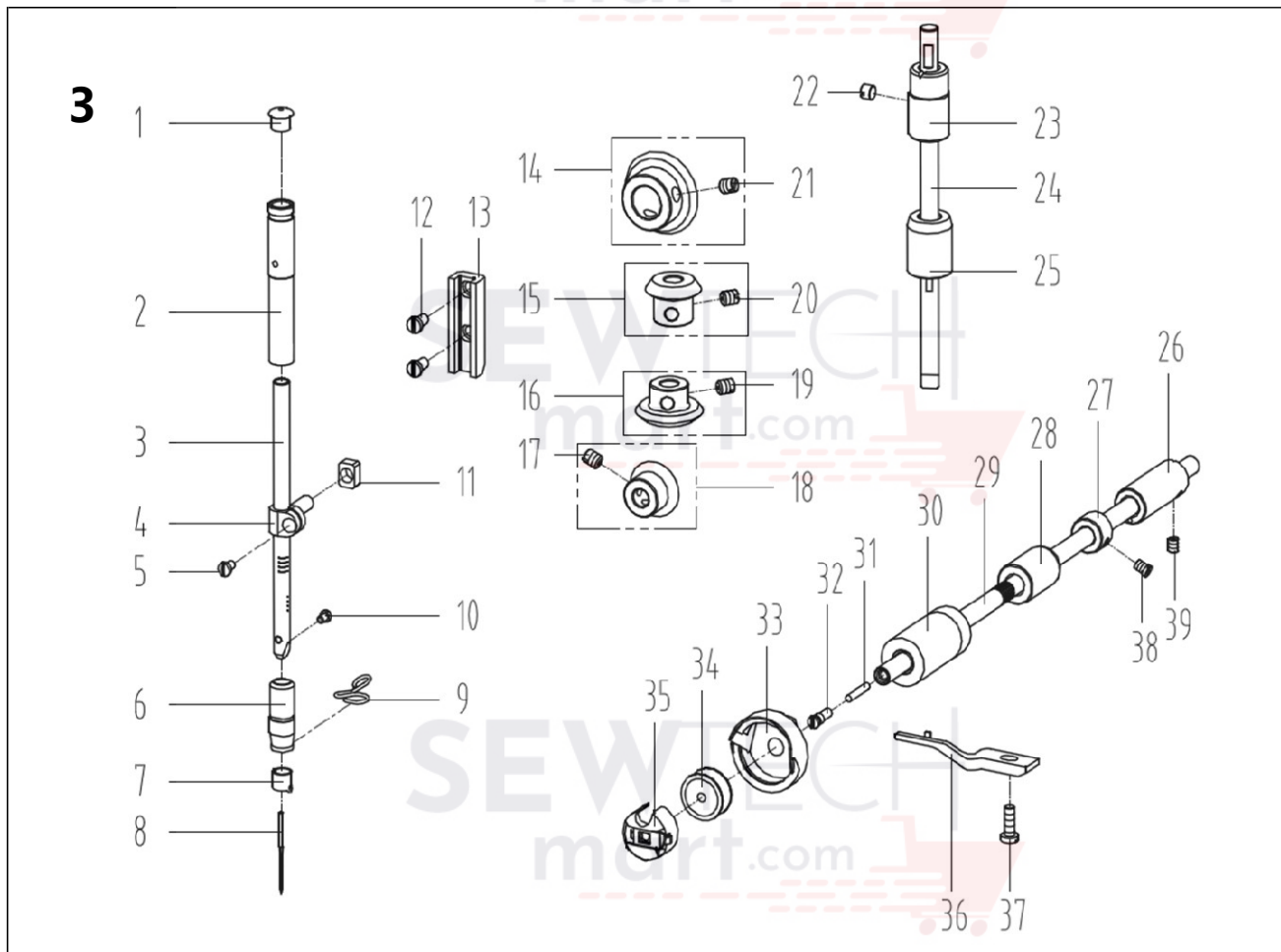
| | | | | |
|----|-------------|----------------------|------------------------------|---|
| 9 | 11023000900 | LED开关灯组件 | Auto reverse feed switch asm | 1 |
| 10 | 13812018 | 挑线杆防护罩 | Thread take-up lever cover | 1 |
| 11 | 10122005 | 挑线连杆销螺孔塞 | Rubber plug | 2 |
| 12 | 10122004 | 针杆曲柄螺孔塞 | Rubber plug | 1 |
| 13 | 13512004 | 三孔线勾 | 3-hole thread guide | 1 |
| 14 | 114S11015 | 螺钉SM9/64"×40 L=6 | Screw SM9/64"×40 L=6 | 2 |
| 15 | 11419001 | 割线刀 | Knife | 1 |
| 16 | 20722002 | 油塞 | Rubber plug | 1 |
| 17 | 110212007 | 后窗板 | Side plate | 1 |
| 18 | 110222005 | 后窗板垫 | Side plate gasket | 1 |
| 19 | 930000982 | 后窗板(喷漆) | Side plate (spray paint) | 1 |
| 20 | 11013002900 | 平缝一体机控制器(T19) | Electronic control box | 1 |
| 21 | 114S13001 | 螺钉M5 L=20 | Screw M5 L=20 | 1 |
| 22 | W01009 | 垫圈 5 | Washer 5 | 4 |
| 23 | 114S30001 | 螺栓M5 L=25 | Screw M5 L=25 | 3 |
| 24 | 10122006 | 送料调节器孔塞 | Rubber plug | 1 |
| 25 | 10122007 | 下轴工艺孔塞 | Rubber plug | 1 |
| 26 | 101S12001 | 底板支柱 | Machine head stud Electronic | 4 |
| 27 | 10113041 | 二眼线勾 | 2-hole thread guide | 1 |
| 28 | W06001 | 双面齿垫圈 | Washer | 1 |
| 29 | 206S11002 | 螺钉SM9/64"×40 L=10 | Screw SM9/64"×40 L=10 | 1 |
| 30 | 10113004 | 右线钩 | Thread guide right | 1 |
| 31 | 101S15010 | 螺钉SM15/64"×28 L=10.5 | Screw SM15/64"×28 L=10.5 | 1 |
| 32 | 101S11007 | 螺钉SM11/64"×40 L=6 | Screw SM11/64"×40 L=6 | 1 |
| 33 | 1381300500 | 夹线器组件 | Thread tension asm | 1 |
| | 1381300700 | 夹线器组件 (厚料) | Thread tension asm (H) | 1 |
| 34 | 138S16013 | 夹线螺母 | Thread tension nut | 1 |
| 35 | 10112007 | 夹线制动板 | Thread disk rotating stopper | 1 |
| 36 | 10127002 | 夹线弹簧 | Thread tension spring | 1 |
| | 11427050 | 夹线弹簧 (厚料) | Thread tension spring (H) | 1 |
| 37 | 10112006 | 松线板 | Disk stopper | 1 |
| 38 | 10127001 | 挑线簧 | Thread take-up spring | 1 |
| | 10127031 | 挑线簧 (厚料) | Thread take-up spring (H) | 1 |
| 39 | 10112005 | 夹线板 | Thread tension disk | 2 |
| 40 | 101S30002 | 夹线螺钉 | Thread tension post | 1 |
| 41 | 10103011 | 挑线簧调节座 | Thread tension base | 1 |
| 42 | 10122014 | 挑线簧调节座O型圈 | Rubber ring | 1 |
| 43 | 10126030 | 松线钉 | Tension release pin | 1 |
| 44 | 101S15005 | 螺钉SM9/64"×40 L=5.5 | Screw SM9/64"×40 L=5.5 | 1 |
| 45 | 11413011 | 固定式缓线钩 | Thread guide | 1 |
| 46 | 401S16001 | 螺母SM9/64"×40 | Nut SM9/64"×40 | 1 |
| 47 | 101s11002 | 螺钉SM11/64"×40 L=5.5 | Screw SM11/64"×40 L=5.5 | 1 |
| 48 | 13812111 | 卷边器座 | Ruler stop seat | 1 |
| 49 | 101S17002 | 螺钉SM11/64"×40 L=5 | Screw SM11/64"×40 L=5 | 2 |
| 50 | 11414006 | 针板 | Needle plate | 1 |
| | 10815001 | 针板 (-7) | Needle plate (-7) | 1 |
| | 11315001 | 针板 (厚料) | Needle plate (H) | 1 |
| | 13615003 | 针板 (HL-7) | Needle plate (HL-7) | 1 |
| 51 | 10115002 | 推板 | Slide plate | 1 |
| 52 | 10127009 | 推板簧 | Slide plate spring | 1 |
| 53 | 101S11019 | 螺钉SM3/32"×56 L=2 | Screw SM3/32"×56 L=2 | 2 |



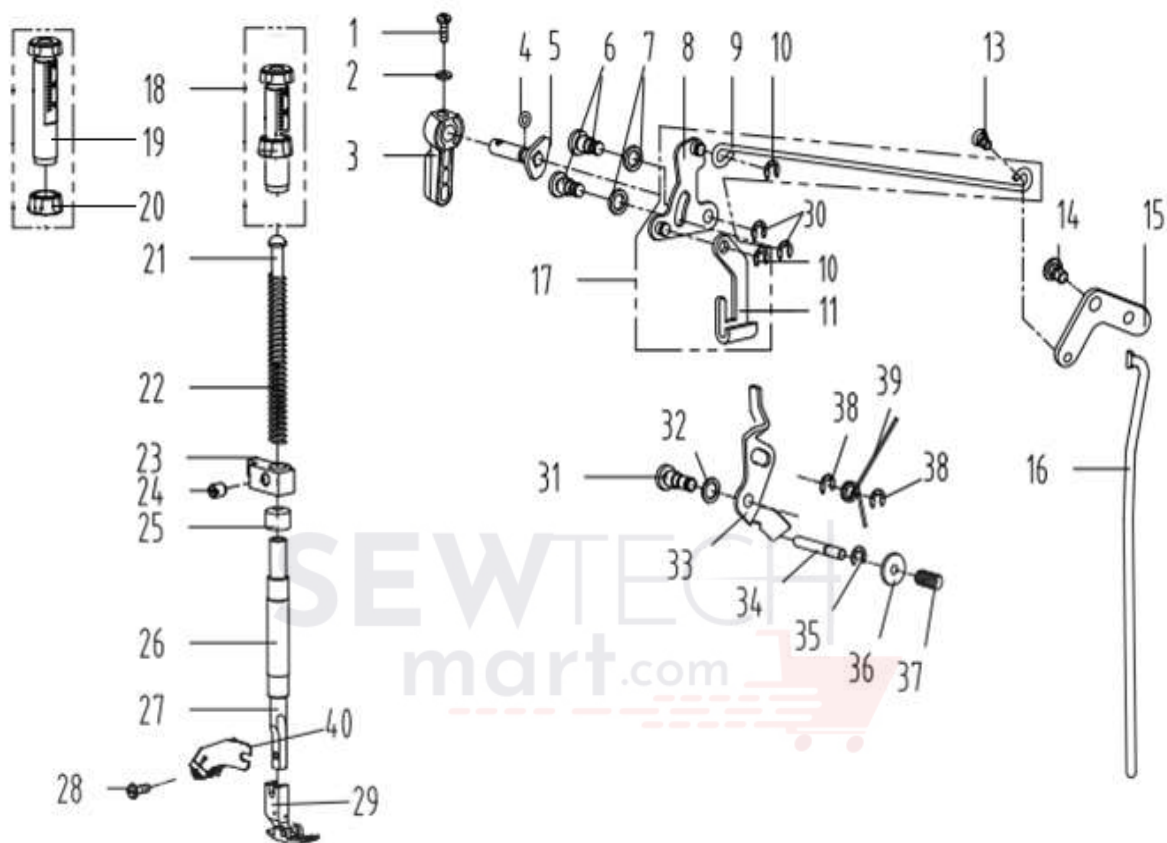
2. 上轴挑线分组件/Main Shaft & Thread Take-up Components

| 序号 NO | 公司件号 Part NO | 名称 PartName | 零件描述 Description | 数量 Number |
|----------|-----------------|-------------------------|--|--------------|
| 1 | 10126001 | 挑线连杆销 (厚料) | Thread take-up connecting rod pin (H) | 1 |
| | 11326013 | 挑线连杆销 | Thread take-up connecting rod pin | 1 |
| | 11326010 | 挑线连杆销 (-7) | Thread take-up connecting rod pin (-7) | 1 |
| 2 | 101S15001 | 螺钉SM15/64"x28 L=15 | Screw SM15/64"x28 L=15 | 1 |
| 3 | 10105001 | 挑线连杆 (厚料) | Thread take-up connecting rod (H) | 1 |
| | 11305010 | 挑线连杆 | Thread take-up connecting rod | 1 |
| 4 | H05013 | 挡圈6 | Snap ring 6 | 1 |
| 5 | 11328010 | 垫片 | Washer | 1 |
| 6 | 10112003 | 针杆曲柄护板 | Needle bar crank protecting plate | 1 |
| 7 | 1013800100 | 挑线杆分组件 | Thread take-up lever asm | 1 |
| | 1133800200 | 挑线杆分组件 (厚料、-7) | Thread take-up lever asm (H & -7) | 1 |
| 8 | 10124001 | 挑线杆滚针轴承 | Needle bearing | 1 |
| 9 | 11310012 | 挑线曲柄分部件 | Thread take-up crank | 1 |
| | 1011000400 | 挑线曲柄分部件 (厚料) | Thread take-up crank (H) | 1 |
| | 11310010 | 挑线曲柄分部件 (-7) | Thread take-up crank (-7) | 1 |
| 10 | 10105002 | 针杆连杆 | Needle bar connecting rod | 1 |
| 11 | 101S17001 | 螺钉SM9/64"x40 (左旋) L=4.8 | Screw SM9/64"x40 (left hand) L=4.8 | 1 |
| 12 | 101S15004 | 螺钉SM9/32"x28 L=16 | Screw SM9/32"x28 L=16 | 1 |
| 13 | 101S11003 | 螺钉SM9/32"x28 L=16 | Screw SM9/32"x28 L=16 | 1 |
| 14 | 113804014 | 针杆曲柄 | Needle bar crank | 1 |
| | 11404035 | 针杆曲柄 (厚料、-7) | Needle bar crank (H & -7) | 1 |
| 15 | 101S15002 | 螺钉SM1/4"x40 L=6 | Screw SM1/4"x40 L=6 | 2 |
| 16 | 11380302600 | 上轴前轴套组件 | Main shaft bushing front | 1 |
| | 1010300400 | 上轴前轴套组件 (厚料) | Main shaft bushing front (H) | 1 |
| 17 | 101S15010 | 螺钉SM15/64"x28 L=10.5 | Screw SM15/64"x28 L=10.5 | 1 |
| 18 | 10403023 | 主轴中轴套 | Main shaft bushing mid | 1 |
| 19 | 101S14001 | 螺钉SM1/4"x40 L=6 | Screw SM1/4"x40 L=6 | 2 |
| 20 | 10108001 | 上轴挡圈 | Main shaft thrust collar | 1 |
| 21 | H03002 | 挡圈20 | Snap ring 20 | 1 |
| 22 | 11310014 | 送料偏心轮 | Feed eccentric cam | 1 |
| | 400006 | 送料偏心轮 (厚料) | Feed eccentric cam (H) | 1 |
| 23 | 10112017 | 送料偏心轮盖板 | Cover plate | 1 |
| 24 | 101S11013 | 螺钉SM1/4"x40 L=13 | Screw SM1/4"x40 L=13 | 2 |

| | | | | |
|----|------------|----------------------|-------------------------------|---|
| 25 | 113S11003 | 螺钉SM9/64"x40 L=5 | Screw SM9/64"x40 L=5 | 2 |
| 26 | 12803014 | 上轴后轴套 | Main shaft bushing rear | 1 |
| 27 | 10122008 | 上轴后套挡油油封 | Oil seal | 1 |
| 28 | H03001 | 挡圈15 | Snap ring 15 | 1 |
| 29 | 10102026 | 上轴 | Main shaft | 1 |
| 30 | 303560 | 手轮 | Handwheel | 1 |
| 31 | 110233016 | 平缝一体机电机 | Motor | 1 |
| 32 | W03002 | 弹垫5 | Spring washer 5 | 3 |
| 33 | 114S13001 | 螺钉M5 L=20 | Screw M5 L=20 | 3 |
| 34 | S05218 | 螺钉M5 L=22 | Screw M5 L=22 | 1 |
| 35 | W03002 | 弹垫5 | Spring washer 5 | 1 |
| 36 | 10122012 | 上轴孔塞 | Rubber plug | 1 |
| 37 | 1013800300 | 挑线杆大组件 (HL专用) | Thread take-up lever asm (HL) | 1 |
| 38 | 1011001100 | 抬牙凸轮组件 (HL专用) | Cam (HL) | 1 |
| 39 | 1011001200 | 送料凸轮组件 (HL专用) | Cam (HL) | 1 |
| 40 | 135S15007 | 螺钉SM11/64"×40 (HL专用) | Screw SM11/64"×40 (HL) | 6 |
| 41 | 13528002 | 凸轮隔离片 (HL专用) | Cam plate (HL) | 1 |
| 42 | 14422008 | 挑线杆断油橡胶 | Thread take-up lever rubber | 1 |



4



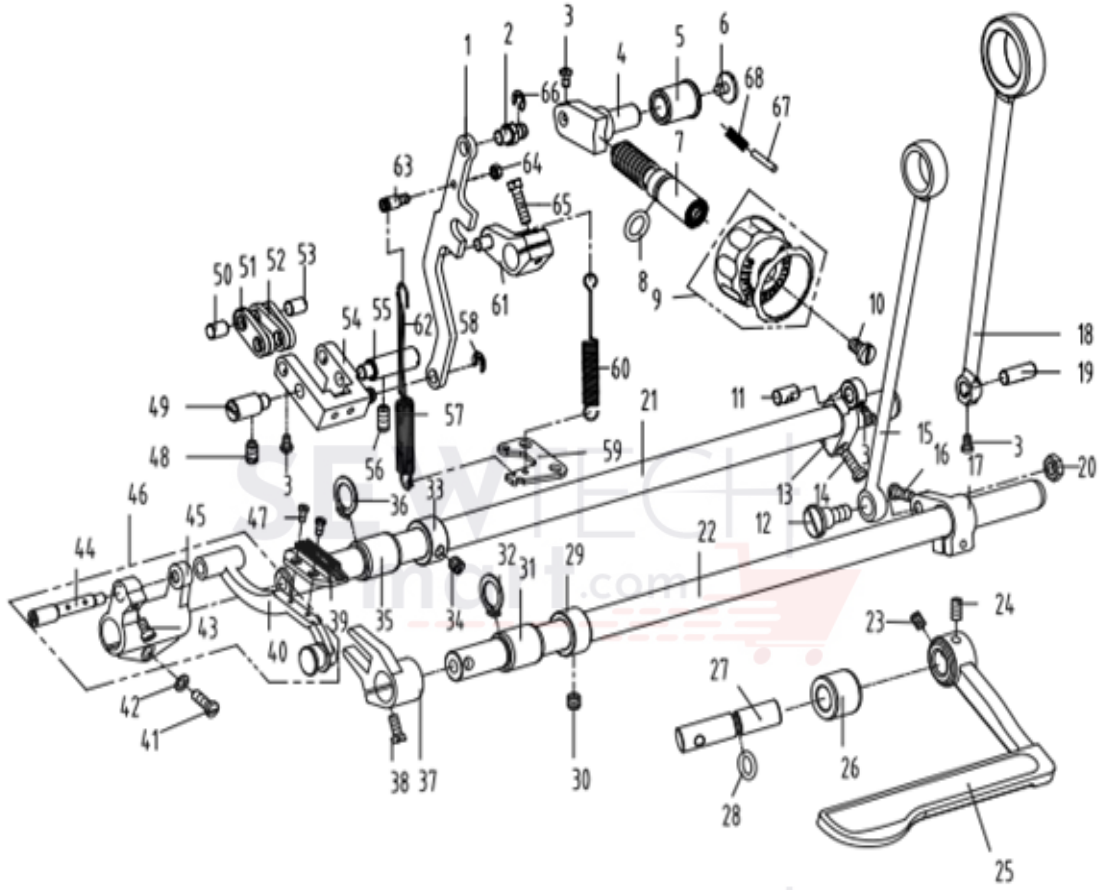
4. 压料分组件/Presser Bar Components

| 序号 NO | 公司件号 Part NO | 名称 PartName | 零件描述 Description | 数量 Number |
|----------|-----------------|---------------------|----------------------------------|--------------|
| 1 | 101S11010 | 螺钉SM9/64"x40 L=11 | Screw SM9/64"x40 L=11 | 1 |
| 2 | 10128002 | 压脚扳手螺钉垫圈 | Washer | 1 |
| 3 | 13811029 | 压脚扳手 | Hand lifter | 1 |
| 4 | O01004 | O型圈 | Rubber ring | 1 |
| 5 | 1011000200 | 压脚扳手凸轮分部件 | Hand lifter cam asm. | 1 |
| 6 | 101S20001 | 前杠杆螺纹销 | Screw | 2 |
| 7 | 10128015 | 螺纹销橡胶垫圈 | Washer | 2 |
| 8 | 1011200100 | 抬压脚前杠杆分部件 | Lift front lever component | 1 |
| 9 | 10112013 | 抬压脚拉杆 | Knee lifter pull rod | 1 |
| 10 | H05003 | 挡圈5 | Snap ring 5 | 2 |
| 11 | 10112010 | 压脚升降板 | Lifting plate | 1 |
| 13 | 101S20004 | 螺钉SM3/16"x32 | Hinge Screw SM3/16"x32 | 1 |
| 14 | 101S20003 | 螺钉SM15/64"x28 | Hinge screw SM15/64"x28 | 1 |
| 15 | 10112014 | 抬压脚后杠杆 | Knee lifter back lever | 1 |
| 16 | 10112015 | 抬压脚顶杆 | Knee lifter connecting rod | 1 |
| 17 | 1011200200 | 抬压脚前杠杆组件 | Knee lifter lever asm | 1 |
| 18 | 11381101800 | 调压螺钉组件 | Presser regulating screw nut asm | 1 |
| 19 | 1138NS30003 | 调压螺钉 (厚料) | Press regulating screw (H) | 1 |
| 20 | 1138NS16005 | 调压螺母 (厚料) | Press regulating nut (H) | 1 |
| 21 | 10102003 | 调压导杆 | Press regulating guide bar | 1 |
| 22 | 113827010 | 调压簧 | Press regulating spring | 1 |
| | 10127024 | 调压簧 (厚料) | Press regulating spring (H) | 1 |
| 23 | 13809030 | 压杆导架 | Presser bar guide bracket | 1 |
| 24 | 101S15007 | 螺钉SM1/4"x40 L=8 | Screw SM1/4"x40 L=8 | 1 |
| 25 | 10122112 | 压杆防油套 | Pressure bar oil cover | 1 |
| 26 | 10103012 | 压杆衬套 | Presser bar bushing | 1 |
| 27 | 10102004 | 压杆 | Presser bar | 1 |
| 28 | 101S11009 | 螺钉SM9/64"x40 L=10.5 | Screw SM9/64"x40 L=10.5 | 1 |
| 29 | 1131600600 | 压脚组件 | Presser foot asm | 1 |
| | 1131600100 | 压脚组件 (厚料) | Presser foot asm (H) | 1 |
| | 1131600300 | 压脚组件 (HL) | Presser foot asm (HL) | 1 |
| 30 | 11329020 | 挡圈 5 | Snap ring 5 | 5 |
| 31 | 101S20002 | 松线顶板螺纹销 | Wire release plate pin | 1 |
| 32 | 10128015 | 螺纹销橡胶垫圈 | Washer | 1 |
| 33 | 10112012 | 松线顶板 | Wire release plate asm | 1 |
| 34 | 10126003 | 松线辅钉 | Thread release supporting pin | 1 |
| 35 | H05012 | 松线辅钉挡圈 | Snap ring | 1 |
| 36 | 10128001 | 松线辅钉垫片 | Washer plate | 1 |

| | | | | |
|----|------------|---------|-------------|---|
| 37 | 10127003 | 松线辅钉弹簧 | Spring | 1 |
| 38 | H05003 | 挡圈5 | Snap ring 5 | 2 |
| 39 | 10127008 | 松线顶板复位簧 | Spring | 1 |
| 40 | 1011900100 | 割线刀组件 | Knife | 1 |

3. 针杆、竖轴、下轴部件/Needle bar & Upright Shaft & Hook Driving Shaft Components

| 序号 NO | 公司件号 Part NO | 名称 PartName | 零件描述 Description | 数量 Number |
|----------|-----------------|---------------------|-------------------------------------|--------------|
| 1 | 10122013 | 针杆上衬套孔塞 | Rubber plug | 1 |
| 2 | 10103009 | 针杆上衬套 | Needle bar bushing upper | 1 |
| 3 | 10102002 | 针杆 | Needle bar | 1 |
| | 10102021 | 针杆 (厚料) | Needle bar (H) | 1 |
| 4 | 10138002 | 针杆连接柱 | Needle bar connecting rod | 1 |
| | 13505003 | 针杆连接柱 (HL) | Needle bar connecting rod (HL) | 1 |
| 5 | 101S11005 | 螺钉 SM9/64"x40 L=6 | Screw SM9/64"x40 L=6 | 1 |
| 6 | 110103002 | 针杆下衬套 | Needle bar bushing lower | 1 |
| | 10103023 | 针杆下衬套 (厚料、-7) | Needle bar bushing lower (H & -7) | 1 |
| 7 | 10113002 | 针杆线勾 | Needle bar thread guide | 1 |
| | 11412063 | 针杆线勾 (厚料) | Needle bar thread guide (H) | 1 |
| 8 | 10117001 | 机针DB×1#14 | Needle DB×1#14 | 1 |
| | 10117002 | 机针DP×5#21 (厚料) | Needle DP×5#21 (H) | 1 |
| 9 | 10413001 | 针杆下衬套线勾 | Lower bushing thread guide | 1 |
| | 10113009 | 针杆下轴套线勾 (厚料、-7) | Lower bushing thread guide (H & -7) | 1 |
| 10 | 101S11006 | 螺钉SM1/8"x44 L=4.5 | Screw SM1/8"x44 L=4.5 | 1 |
| 11 | 10109001 | 针杆连接柱滑块 | Slide block | 1 |
| 12 | 101S11008 | 螺钉SM11/64"x40 L=8 | Screw SM11/64"x40 L=8 | 2 |
| 13 | 10109002 | 针杆接头滑块导轨 | Needle bar guide | 1 |
| 14 | 10425004 | 上轴伞齿轮 | Upper shaft bevel gear | 1 |
| 15 | 10425003 | 竖轴上伞齿轮 | Upper small bevel gear asm | 1 |
| 16 | 10425002 | 竖轴下伞齿轮 | lower large bevel gear asm | 1 |
| 17 | 101S15007 | 螺钉SM1/4"x40 L=7 | Screw SM1/4"x40 L=7 | 2 |
| 18 | 10425001 | 下轴伞齿轮 | Hook drive shaft bevel gear | 1 |
| 19 | 101S15007 | 螺钉SM1/4"x40 L=7 | Screw SM1/4"x40 L=7 | 2 |
| 20 | 101S15007 | 螺钉SM1/4"x40 L=7 | Screw SM1/4"x40 L=7 | 2 |
| 21 | 101S15007 | 螺钉SM1/4"x40 L=7 | Screw SM1/4"x40 L=7 | 2 |
| 22 | 101S15006 | 螺钉SM15/64"x28 L=4.7 | Screw SM15/64"x28 L=4.7 | 1 |
| 23 | 10403014 | 竖轴上轴套 | Upright shaft bushing upper | 1 |
| 24 | 10102007 | 竖轴 | Upright shaft | 1 |
| 25 | 10403013 | 竖轴下轴套 | Upright shaft bushing lower | 1 |
| 26 | 10103079 | 下轴后轴套 | Hook driving shaft bushing back | 1 |
| 27 | 10108002 | 下轴挡圈 | Hook driving shaft snap ring | 1 |
| 28 | 10122015 | 下轴油封 | Thrust collar | 1 |
| 29 | 10102006 | 下轴 | Hook driving shaft | 1 |
| | 12202003 | 下轴 (HL) | Hook driving shaft (HL) | 1 |
| 30 | 10103078 | 下轴前轴套 | Hook driving shaft bushing front | 1 |
| 31 | 10123009 | 下轴限油芯 | Oil wick | 1 |
| 32 | 101S30005 | 下轴限油螺钉SM3/16"×32 | set screw SM3/16"×32 | 1 |
| 33 | 10118006 | 旋梭 | Hook asm | 1 |
| | 10118007 | 旋梭 (厚料) | Hook asm (H) | 1 |
| | 10818001 | 旋梭 (HL) | Hook asm (HL) | 1 |
| 34 | 10118003 | 梭心 | Bobbin | 1 |
| | 10818501 | 大梭心 (HL) | Bobbin (HL) | 1 |
| 35 | 10118021 | 梭壳 | Bobbin case asm | 1 |
| | 10818502 | 梭壳 (HL) | Bobbin case asm (HL) | 1 |
| 36 | 10112016 | 旋梭定位钩 | Finger postioner | 1 |
| | 10112032 | 旋梭定位钩 (厚料) | Finger postioner (H) | 1 |
| 37 | 101S11011 | 螺钉SM11/64"×40 L=13 | Screw SM11/64"×40 L=13 | 1 |
| 38 | 101S11012 | 螺钉SM11/64"×40 L=4.8 | Screw SM11/64"×40 L=4.8 | 2 |
| 39 | 101S15006 | 螺钉SM11/64"×40 L=7 | Screw SM11/64"×40 L=7 | 1 |

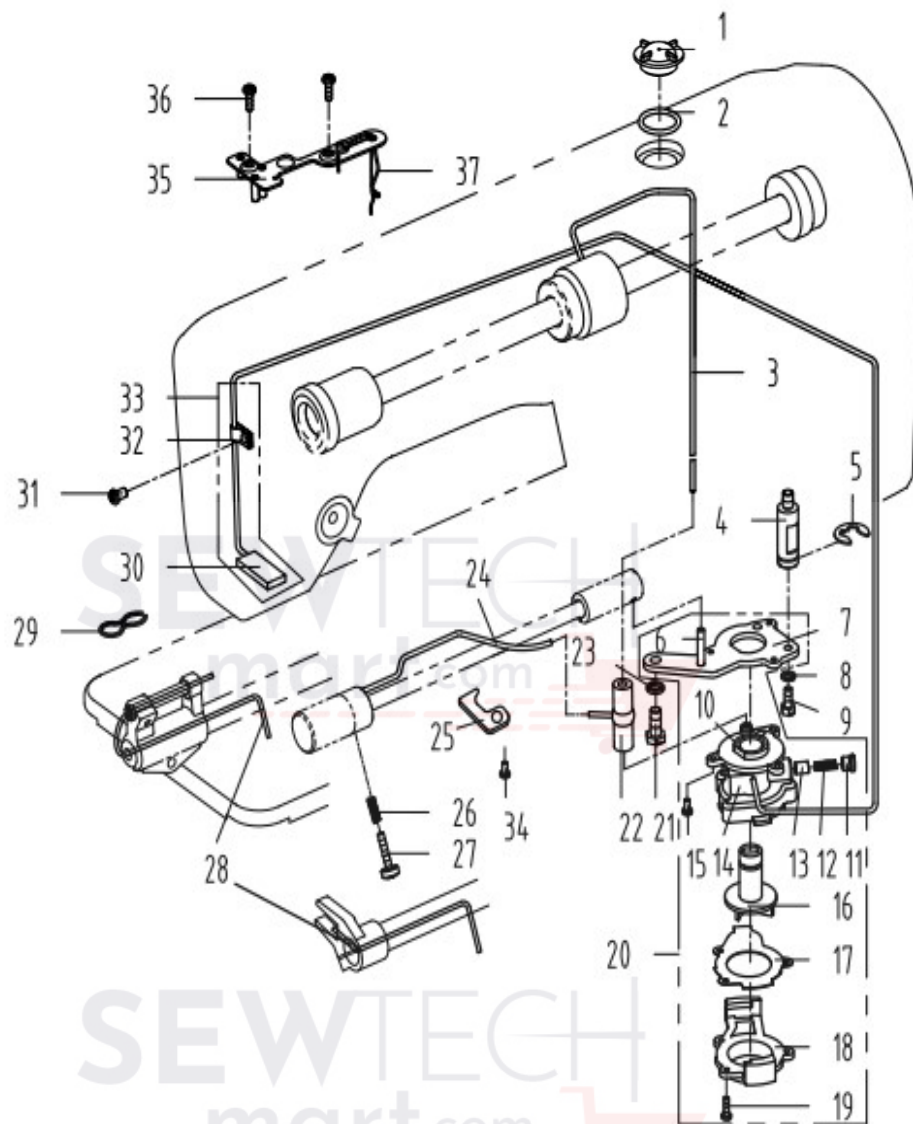


5. 送料分组件/Feed Mechanism Components

| 序号 NO | 公司件号 Part NO | 名称 PartName | 零件描述 Description | 数量 Number |
|----------|-----------------|---------------------|----------------------------------|--------------|
| 1 | 10105007 | 倒送料连杆 | Reverse feed connecting rod | 1 |
| 2 | 11426021 | 倒送料连杆销 | Connecting rod pin | 1 |
| | 11326011 | 倒送料连杆销 (-7) | Connecting rod pin (-7) | 1 |
| 3 | 101S11005 | 螺钉SM9/64"x40 L=6 | Screw SM9/64"x40 L=6 | 6 |
| 4 | 10101053 | 送料调节器 | Feed regulator | 1 |
| 5 | 10403017 | 送料调节器轴套 | Feed regulator bushing | 1 |
| 6 | 101S11023 | 螺钉SM3/16"x28 L=6.5 | Screw SM3/16"x28 L=6.5 | 1 |
| 7 | 10126045 | 标盘螺柱 | Feed regulator stud | 1 |
| 8 | 10122016 | 送料调节螺钉O形圈 | Rubber ring | 1 |
| 9 | 1011107000 | 标盘旋钮组件 | Knob component | 1 |
| | 1011107100 | 标盘旋钮组件 (-7) | Knob component (-7) | 1 |
| 10 | 101S11022 | 螺钉SM3/16"x28 L=18 | Screw SM3/16"x28 L=18 | 1 |
| 11 | 10126011 | 送料曲柄销 | Feed rocker crank pin | 1 |
| 12 | 101S20005 | 螺钉SM9/32"x28 L=13.5 | Screw SM9/32"x28 L=13.5 | 1 |
| 13 | 10104002 | 送料曲柄 | Feed rocker shaft crank | 1 |
| | 11304010 | 送料曲柄 (-7) | Feed rocker shaft crank (-7) | 1 |
| | 10104009 | 送料曲柄 (HL) | Feed rocker shaft crank (HL) | 1 |
| 14 | 101S11016 | 螺钉SM3/16"x28 L=14 | Screw SM3/16"x28 L=14 | 1 |
| 15 | 400093 | 抬牙连杆 | Connecting rod | 1 |
| 16 | 101S11016 | 螺钉SM3/16"x28 L=14 | Screw SM3/16"x28 L=14 | 1 |
| 17 | 10104004 | 抬牙后曲柄 | Feed driving shaft crank | 1 |
| 18 | 400091 | 送料连杆 | Rocker shaft connecting rod | 1 |
| | 400083 | 送料连杆 (-7) | Rocker shaft connecting rod (-7) | 1 |
| | 10105052 | 送料连杆 (HL) | Rocker shaft connecting rod (HL) | 1 |
| 19 | 10126006 | 送料连杆销 | Connecting rod pin | 1 |
| 20 | 101S16003 | 螺母SM9/32"x28 L=4 | Hinge Screw SM9/32"x28 L=4 | 1 |
| 21 | 10102008 | 送料轴 | Feed rocker shaft | 1 |
| 22 | 11202001 | 抬牙轴 | Feed driving shaft | 1 |
| 23 | 101S15006 | 螺钉SM15/64"x28 L=7 | Screw SM15/64"x28 L=7 | 1 |
| 24 | 101S15013 | 螺钉SM15/64"x28 L=10 | Screw SM15/64"x28 L=10 | 1 |
| 25 | 10131086 | 倒缝扳手 | Reverse feed lever | 1 |
| 26 | 10103024 | 倒送料轴轴套 | Reverse feed shaft bushing back | 1 |

| | | | | |
|----|-------------|------------------------------|-----------------------------------|---|
| 27 | 10102023 | 倒缝送料轴 | Reverse feed shaft | 1 |
| 28 | 10122017 | 倒送料轴O形圈 | Rubber ring | 1 |
| 29 | 10108003 | 送料轴挡圈 | Feed rocker shaft snap ring | 4 |
| 30 | 101S15002 | 螺钉SM1/4"x40 L=6 | Screw SM1/4"x40 L=6 | 2 |
| 31 | 10403015 | 轴套 | Bushing | 1 |
| 32 | H03001 | 挡圈15 | Snap ring 15 | 2 |
| 33 | 10108003 | 送料轴挡圈 | Feed rocker shaft snap ring | 1 |
| 34 | 101S15002 | 螺钉SM1/4"x40 L=6 | Screw SM1/4"x40 L=6 | 2 |
| 35 | 10403015 | 轴套 | Bushing | 1 |
| 36 | H03001 | 挡圈15 | Snap ring 15 | 1 |
| 37 | 10104007 | 抬牙叉形曲柄 | Driving shaft crank | 1 |
| | 10804003 | 抬牙叉形曲柄 (厚料、-7) | Driving shaft crank (H & -7) | 1 |
| 38 | 116S11005 | 螺钉SM11/64"x40 L=13 | Screw SM11/64"x40 L=13 | 1 |
| 38 | 101S11020 | 螺钉SM11/64"x40 L=10.5 (厚料、-7) | Screw SM11/64"x40 L=10.5 (H & -7) | 1 |
| 39 | 11414002 | 送料牙 | Feed dog | 1 |
| | 11314001 | 送料牙 (厚料、-H-7) | Feed dog (H & -H-7) | 1 |
| | 10814001 | 送料牙 (-7) | Feed dog (-7) | 1 |
| | 10114051 | 送料牙 (HL) | Feed dog (HL) | 1 |
| 40 | 470060 | 牙架 | Feed bar asm | 1 |
| 41 | 101S11016 | 螺钉SM3/16"x28 L=14 | Screw SM3/16"x28 L=14 | 1 |
| 42 | 10128003 | 牙架座螺钉垫圈 | Washer | 1 |
| 43 | 101S11025 | 螺钉SM11/64"x40 L=7 | Screw SM11/64"x40 L=7 | 1 |
| 44 | 10401007 | 牙架销 | Feed bar pin | 1 |
| 45 | 480095 | 牙架座 | Feed bar bed | 1 |
| 46 | 11380700300 | 牙架组件 (成品) | Feed bar asm | 1 |
| 47 | 101S11018 | 螺钉SM1/8"x44 L=6 | Screw SM1/8"x44 L=6 | 2 |
| 48 | 101S15010 | 螺钉SM15/64"x28 L=10.5 | Screw SM15/64"x28 L=10.5 | 1 |
| 49 | 10126009 | 送料摆动板座左销 | Left pin | 1 |
| 50 | 10126007 | 短摆动板连杆销 | Connecting pin | 1 |
| 51 | 10109005 | 送料短摆动板 | Feed short shaking plate | 1 |
| 52 | 10109004 | 送料长摆动板 | Feed long shaking plate | 1 |
| 53 | 10126007 | 短摆动板连杆销 | Connecting pin | 1 |
| 54 | 1010100200 | 送料摆动板座分部件 | Feed shaking plate bed components | 1 |
| 55 | 10126010 | 送料摆动板座右销 | Right pin | 1 |
| 56 | 101S15010 | 螺钉SM15/64"x28 L=10.5 | Screw SM15/64"x28 L=10.5 | 1 |
| 57 | 11427011 | 送料调节弹簧 | Spring | 1 |
| 58 | 11329020 | 挡圈5 | Snap ring 5 | 1 |
| 59 | 11412081 | 拉簧固定板 | Pull spring fixing plate | 1 |
| 60 | 10127011 | 倒送料拉簧 | Reverse feed pull spring | 1 |
| 61 | 1140402700 | 倒送料曲柄组件 | Feed reverse crank asm | 1 |
| | 1130402800 | 倒送料曲柄组件 (-7) | Feed reverse crank asm (-7) | 1 |
| 62 | 11321005 | 油管 | Tube | 1 |
| 63 | 114S30007 | 螺钉SM11/64"x40 L=7.5 | Screw SM11/64"x40 L=7.5 | 1 |
| 64 | 114S16004 | 螺母SM11/64"x40 L=3 | Nut SM11/64"x40 L=3 | 1 |
| 65 | S01102 | 螺钉SM3/16"x28 L=18 | Screw SM3/16"x28 L=18 | 1 |
| 66 | 11329020 | 挡圈5 | Snap ring 5 | 1 |
| 67 | 10126015 | 送料距锁合销 | Pin | 1 |
| 68 | 10127010 | 送料距锁合簧 | Spring | 1 |

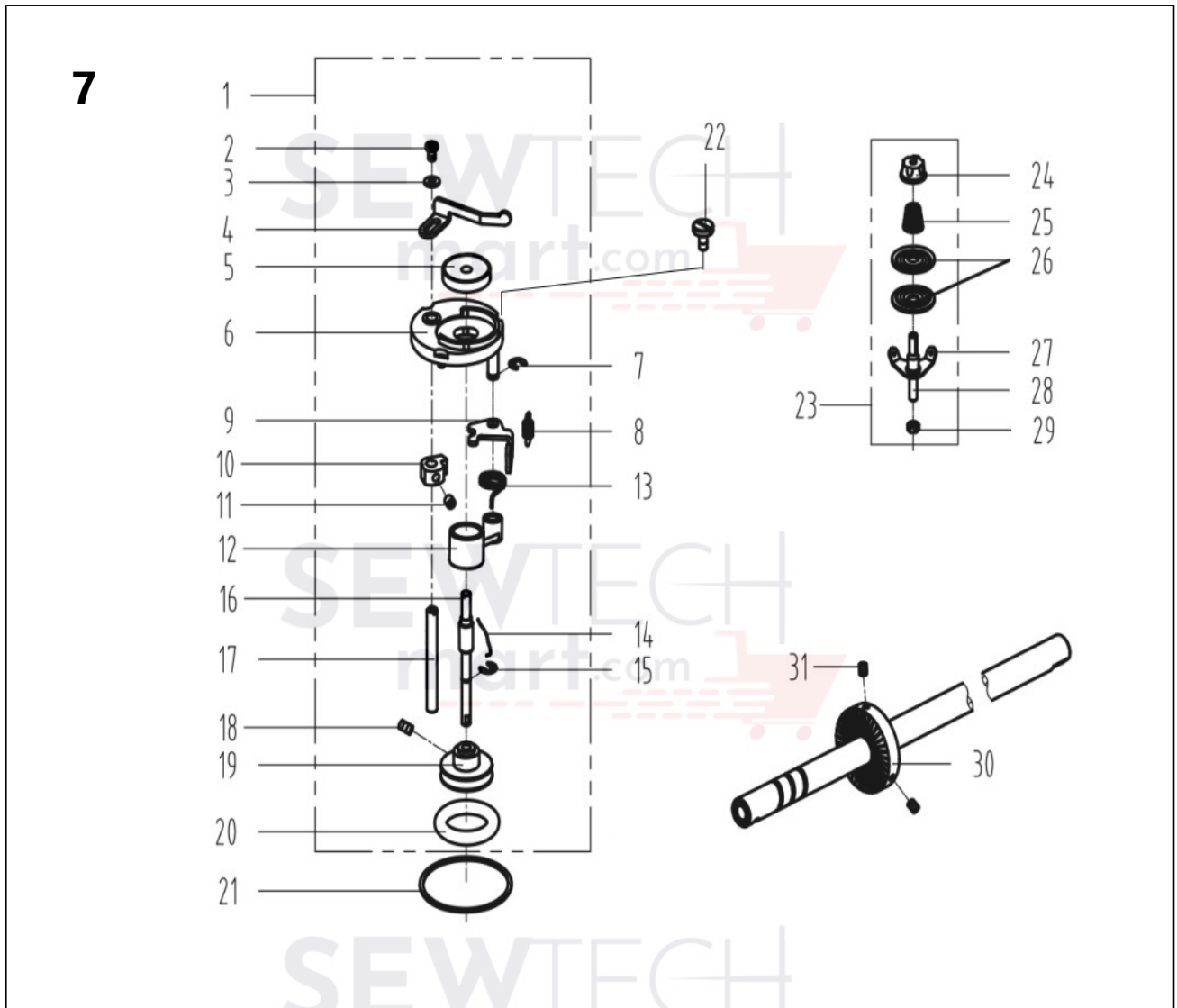
6



6. 润滑、油量检测组件/Oil Lubrication & Oil Measuring Components

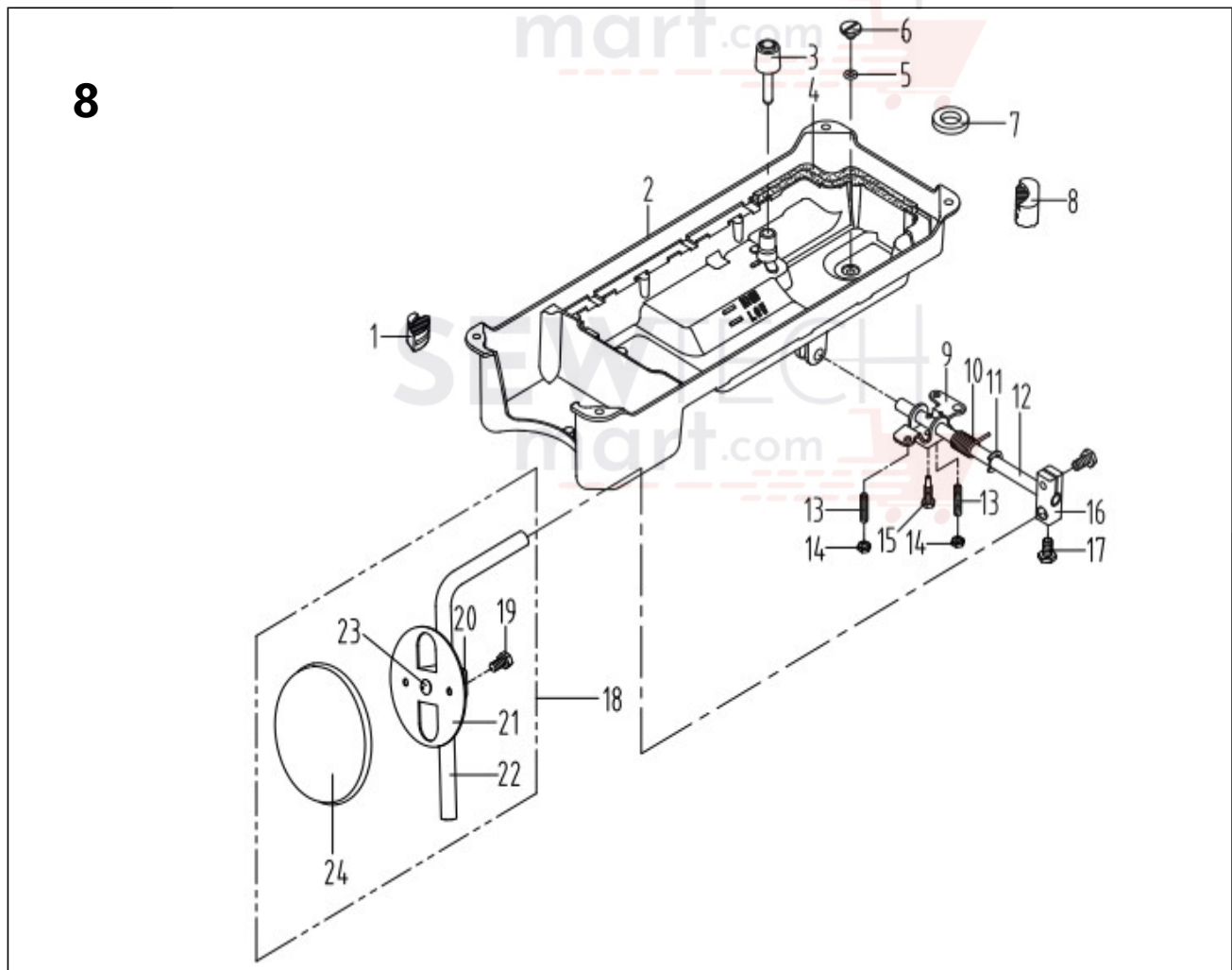
| 序号 NO | 公司件号 Part NO | 名称 PartName | 零件描述 Description | 数量 Number |
|----------|-----------------|---------------------|--------------------------------|--------------|
| 1 | 11211004 | 油窗 | Oil sight window | 1 |
| 2 | 10122019 | 油窗O形圈 | Rubber ring | 1 |
| 3 | 11421008 | 上轴供油管 | Main shaft oil tube | 1 |
| 4 | 101S30008 | 油泵连接螺柱 | Oil pump connecting stud | 1 |
| 5 | 11329010 | 开口挡圈10 | Snap ring 10 | 1 |
| 6 | 10121001 | 下轴供油管 | Hook driving shaft oil tube | 1 |
| 7 | 10112020 | 油泵安装板 | Oil pump installing base | 1 |
| 8 | W03002 | 弹垫 | Spring washer | 1 |
| 9 | 101S11011 | 螺钉SM11/64"×40 L=9.5 | Screw SM11/64"×40 L=9.5 | 1 |
| 10 | 10103022 | 油泵体衬套 | Oil pump bushing | 1 |
| 11 | 101S30007 | 柱塞螺钉 | Plunger Screw | 1 |
| 12 | 10127013 | 柱塞簧 | Plunger spring | 1 |
| 13 | 10122018 | 回油柱塞 | Plunger | 1 |
| 14 | 10120001 | 油泵体 | Oil pump | 1 |
| 15 | S04093 | 螺钉M3 L=6 | Screw M3 L=6 | 3 |
| 16 | 10111003 | 油泵叶轮 | Oil pump impeller | 1 |
| 17 | 10112021 | 油泵叶轮托板 | Oil pump impeller cover | 1 |
| 18 | 10111007 | 油泵盖 | Lubricating oil pump cover | 1 |
| 19 | 101S30006 | 螺钉ST2.9 L=10 | Screw ST2.9 L=10 | 3 |
| 20 | 1012000100 | 油泵分部件 | Lubricating oil pump component | 1 |
| 21 | 101S11026 | 螺钉SM15/64"×28 L=9 | Screw SM15/64"×28 L=9 | 1 |
| 22 | 10136001 | 供油管接头 | Rubber joint | 1 |
| 23 | W02004 | 弹垫M6 | Spring Washer M6 | 1 |
| 24 | 10121009 | 供油管 | Hook oil tube | 1 |
| 25 | 10112022 | 旋梭供油管压板 | Tube holder | 1 |
| 26 | 10127014 | 油量调节螺钉弹簧 | Spring | 1 |
| 27 | 101S30009 | 油量调节螺钉 | Oil volume adjusting screw | 1 |
| 28 | 10423005 | 油线 | Oil wick | 1 |
| 29 | 10127015 | 回油毡夹 | Oil felt clamp | 1 |

| | | | | |
|----|-------------|-------------------|---------------------------|---|
| 30 | 10123006 | 回油毡 | Oil felt felt | 1 |
| 31 | 101S11004 | 螺钉SM3/16"×28 L=7 | Screw SM3/16"×28 L=7 | 1 |
| 32 | 10127015 | 回油毡夹 | Oil tube clamp | 1 |
| 33 | 11502100100 | 回油管部件 | Oil return tube component | 1 |
| 34 | 101S11026 | 螺钉SM15/64"×28 L=9 | Screw SM15/64"×28 L=9 | 1 |
| 35 | 10112025 | 油线固定板 | Oil wick fixing plate | 1 |
| 36 | 101S11010 | 螺钉SM9/64"×40 L=11 | Screw SM9/64"×40 L=11 | 2 |
| 37 | 10123010 | 油线 | Oil wick | 1 |



7. 绕线器组件/ Bobbin Components

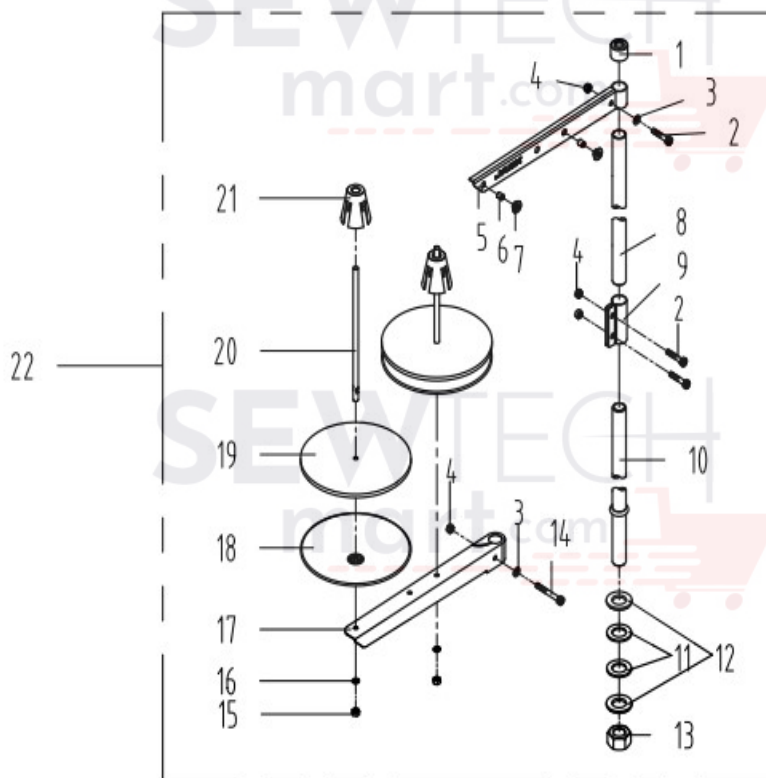
| 序号 NO | 公司件号 Part NO | 名称 PartName | 零件描述 Description | 数量 Number |
|----------|-----------------|-------------------|------------------------------|--------------|
| 1 | 1383103900 | 绕线器组件 | Bobbin winder asm | 1 |
| 2 | 114S11008 | 螺钉M4 L=6 | Screw M4 L=6 | 1 |
| 3 | W01142 | 垫圈4 | Washer 4 | 1 |
| 4 | 10113030 | 压线控制板 | Thread press control plate | 1 |
| 5 | 10111120 | 绕线衬垫 | Winding pad | 1 |
| 6 | 13831101 | 绕线器装置主座 | Bobbin winder bed | 1 |
| 7 | H05006 | 开口挡圈5 | Snap ring | 1 |
| 8 | 10127061 | 复位板拉簧 | Spring | 1 |
| 9 | 13812110 | 调节板 | Regulating plate | 1 |
| 10 | 10110030 | 绕线凸轮 | Bobbin winder cam | 1 |
| 11 | S09045 | 螺钉M5 L=5 | Screw M5 L=5 | 1 |
| 12 | 1380510600 | 绕线器连杆组件 | Bobbin winder connecting rod | 1 |
| 13 | 13827103 | 满线复位簧 | Spring | 1 |
| 14 | 10127060 | 弹簧 | Spring | 1 |
| 15 | H05909 | 开口挡圈4 | Snap ring 4 | 1 |
| 16 | 13802111 | 绕线器主轴 | Bobbin winder mian shaft | 1 |
| 17 | 13802026 | 绕线凸轮轴 | Bobbin winder cam shaft | 1 |
| 18 | S09103 | 螺钉M4 L=4 | Screw M4 L=4 | 2 |
| 19 | 13831102 | 绕线轮 | Bobbin winder wheel | 1 |
| 20 | O01110 | O型圈 | Ring | 1 |
| 21 | 11422062 | 密封垫 | Washer | 1 |
| 22 | 1102NS11001 | 螺钉SM3/16"×28 L=10 | Screw SM3/16"×28 L=10 | 3 |
| 23 | 1381300600 | 底线夹线器 | Bobbin thread tension asm. | 1 |
| 24 | 138s16019 | 夹线螺母 | Thread tension nut | 1 |
| 25 | 11427006 | 小夹线弹簧 | Spring | 1 |
| 26 | 10112005 | 夹线板 | Thread tension disk | 2 |
| 27 | 11413022 | 夹线过线板 | Thread tension guide plate | 1 |
| 28 | 112S13004 | 夹线螺钉 | Screw | 1 |
| 29 | 114S16001 | 螺母SM11/64"×40 | Nut SM11/64"×40 | 1 |
| 30 | 11435013 | 绕线器驱动轮 | Driving wheel | 1 |
| 31 | S10009 | 螺钉M6 L=8 | Screw M6 L=8 | 2 |



9. 油盘、抬压脚组件/Oil Reservoir & Knee Lifter Components

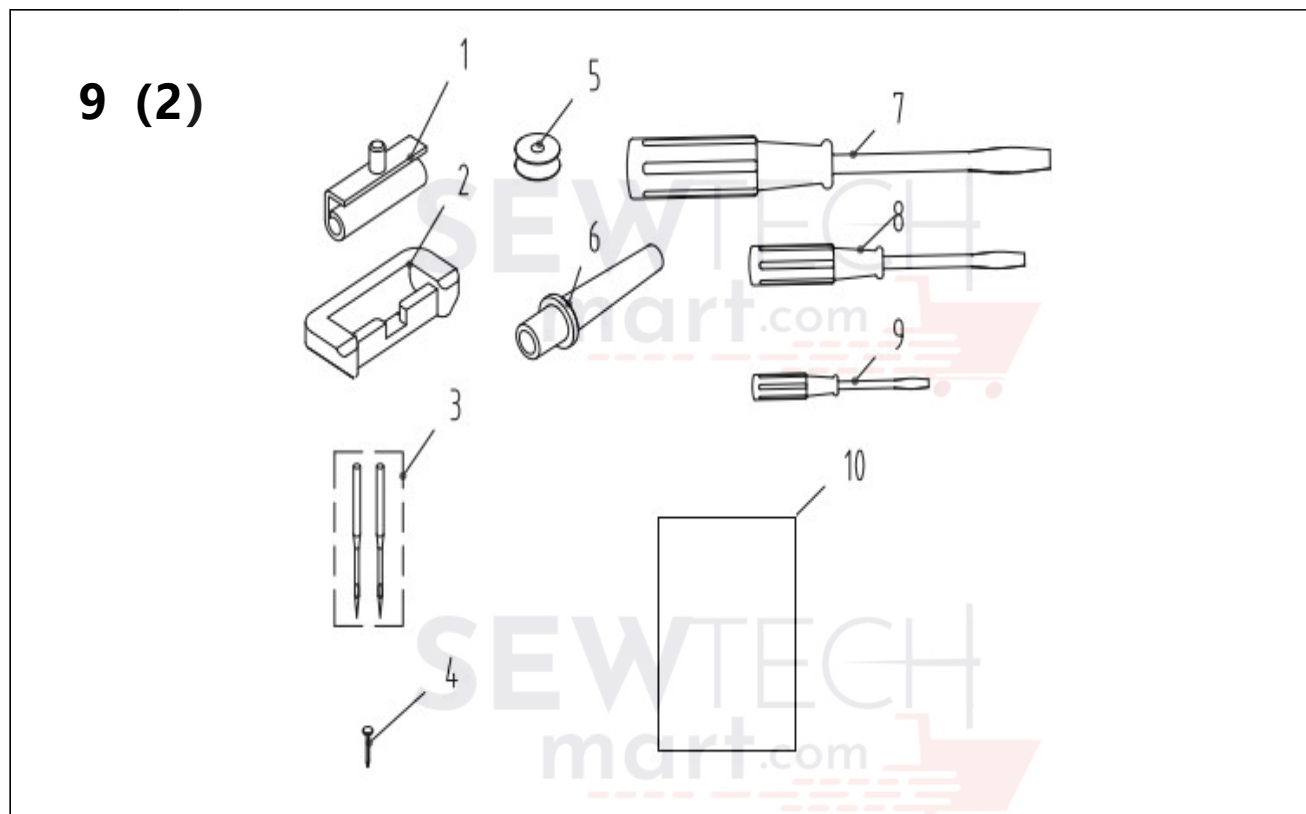
| 序号 NO | 公司件号 Part NO | 名称 PartName | 零件描述 Description | 数量 Number |
|----------|-----------------|------------------|------------------------------|--------------|
| 1 | 10122022 | 油盘座垫 | Oil reservoir rubber cushion | 2 |
| 2 | 110201011 | 油盘 | Oil reservoir | 1 |
| 3 | 10111005 | 抬压脚顶杆 | Knee lifter push rod | 1 |
| 4 | 10122020 | 油盘垫 | Oil Reservoir gasket | 1 |
| 5 | 10122021 | O形圈 | Rubber ring | 1 |
| 6 | 101S11028 | 螺钉SM5/16"×24 L=7 | Screw SM5/16"×24 L=7 | 1 |
| 7 | 10131001 | 油盘磁铁 | Oil reservoir magnet | 1 |
| 8 | 10122023 | 油盘支架 | Oil reservoir rubber cushion | 2 |
| 9 | 10112027 | 抬压脚双向曲柄 | Knee lifter crank | 1 |
| 10 | 10127016 | 双向曲柄扭簧 | Knee lifter spring | 1 |
| 11 | H05010 | 挡圈10 | Snap ring 10 | 1 |
| 12 | 10102011 | 抬压脚轴 | Knee lifter shaft | 1 |
| 13 | 101S15012 | 螺钉M6 L=30 | Screw M6 L=20 | 2 |
| 14 | 101S16004 | 螺母M6 L=4 | Nut M6 L=4 | 2 |
| 15 | 101S12002 | 螺钉M6 L=26 | Screw M6 L=26 | 1 |
| 16 | 10101008 | 抬牙脚操纵杆节头 | Bearing bracket | 1 |
| 17 | 101S12003 | 螺钉M8 L=16 | Screw M8 L=16 | 1 |
| 18 | 1011202800 | 操纵杆组件 | Knee press plate asm | 1 |
| 19 | 101S12004 | 螺钉M6 L=11 | Screw M6 L=11 | 1 |
| 20 | 10112030 | 操纵杆节头 | Knee press plate holder | 1 |
| 21 | 10112029 | 操纵板 | Knee press plate | 1 |
| 22 | 10112028 | 操纵杆 | Knee press plate rod | 1 |
| 23 | 10122025 | 操纵杆垫 | Rubber | 1 |
| 24 | 10122024 | 操纵板软垫 | Knee press plate cover | 1 |

9 (1)



9. 机头附件 (1) /Machine Head Accessories (1)

| 序号 NO | 公司件号 Part NO | 名称 PartName | 零件描述 Description | 数量 Number |
|----------|-----------------|----------------|----------------------------|--------------|
| 1 | 20131019 | 棒帽 | Stick cap | 1 |
| 2 | S04050 | 螺栓M5 L=16 | Screw M5 L=16 | 3 |
| 3 | W01047 | 平垫圈5 | Washer 5 | 2 |
| 4 | N01034 | 螺母M5 | Nut M5 | 4 |
| 5 | 13831022 | 上线架过线杆 | Spool rest arm upper | 1 |
| 6 | 10113011 | 过线圈 (内) | Thread guide ring | 2 |
| 7 | 10113010 | 过线圈 (外) | Thread guide ring | 2 |
| 8 | 13831019 | 线架杆上节 | Spool rest rod upper | 1 |
| 9 | 13831021 | 线架杆接头 | Spool rest rod joint | 1 |
| 10 | 13831020 | 线架杆下节 | Spool rest rod lower | 1 |
| 11 | 10122106 | 橡胶垫圈 | Spool rest rod rubber ring | 2 |
| 12 | W01052 | 平垫圈16 | Washer 16 | 2 |
| 13 | N02008 | 螺母M16 | Nut M16 | 1 |
| 14 | S04051 | 螺栓M5 L=31.5 | Screw M5 L=31.5 | 1 |
| 15 | N01034 | 螺母M5 | Nut M5 | 2 |
| 16 | W03002 | 弹簧垫圈 5 | Spring washer 5 | 2 |
| 17 | 13831023 | 下线架过线杆 | Spool rest arm lower | 1 |
| 18 | 13831024 | 线盘 | Spool rest | 2 |
| 19 | 20131010 | 线盘垫 | Spool rest cushion | 2 |
| 20 | 20131006 | 线拖棒 | Spool support rod | 2 |
| 21 | 13831025 | 线固定套 | Spool fixed seat | 2 |
| 22 | 1383100300 | 线架组件 | Thread stand asm. | 1 |



9. 机头附件 (2) /Machine Head Accessories (2)

| 序号 NO | 公司件号 Part NO | 名称 PartName | 零件描述 Description | 数量 Number |
|----------|-----------------|-----------------|--------------------------------|--------------|
| 1 | 1011203100 | 机头连接钩部件 | Hinge component | 2 |
| 2 | 10122060 | 机头连接钩座 | Head connecting rubber cushion | 2 |
| 3 | 10117012 | 机针 DBx1#14 | Needle DBx1#14 | 10 |
| | 10117002 | 机针 DP×5#21 (厚料) | Needle DP×5#21 (H) | 4 |
| 4 | 101S30010 | 机头连接钩座钉 (P19) | Shoe spike (p19) | 6 |
| 5 | 10118003 | 梭心 | Bobbin | 1 |
| | 10818501 | 大梭心 (HL) | Big Bobbin (HL) | 1 |
| 6 | 115011003 | 机头支柱 | Machine head rest pin | 1 |
| 7 | 20731047 | 螺丝刀 (大) | Screw driver (large) | 1 |
| 8 | 10131003 | 螺丝刀 (中) | Screw driver (medium) | 1 |
| 9 | 10131004 | 螺丝刀 (小) | Screw driver (small) | 1 |
| 10 | 110211011 | 油袋 | Oiler bladders | 1 |



杰克科技股份有限公司

杰克缝纫机
全球销量遥遥领先

公司地址(Address of Company) :

中国浙江省台州市椒江区三甲东海大道东段1008号

NO.1008, DONGHAI AVENUE EAST, JIAOJIANG DISTRICT,TAIZHOU CITY, ZHEJIANG

邮编(Zip Code): 318000

国内销售部(Domestic Trade Department):

电话(TEL): 0086-0576-88177788 88177789

传真(FAX): 0086-0576-88177758

国贸销售部(International Trade Department):

电话(TEL): 0086-0576-88177782 88177774

传真(FAX): 0086-0576-88177787

服务热线: 400-8876858

<http://www.chinajack.com>

资料如有更改, 恕不另行通知, 以实物为准。

You will be not informed if the file has been revised.Please set sample as standard.

日期: 2022.04

