

Model

CT 300UB5 TAPE EDGE



● Basic machine: 300UI94A

● Machine pulley: 74 mm

● Needle: parts. No. 4112-01/23

● Equiped with drive pulley o bed shaft :
64 mm diameter

- **Model CT300UB5**
- **The Ultimate Tape Edge Machine**
- **Single Needle, Two Thread , Chainstitch**

CTEC

Chung Tien Enterprise Co., Ltd., located in Taipei, Taiwan, was found in 1977. We are one of the biggest trading companies for generic sewing machinery parts in Taiwan, dealing business with several companies globally. As the CTEC's excellent reputation in the sewing business, one theme has remained constant — maintaining and enhancing our reputation for high quality parts and machines. Whether the tasks at hand is the sewing of apparel, bedding, or delicate lingerie, we remains the best.



CHUNG TIEN

CHUNG TIEN ENTERPRISE CO., LTD.

NO. 225, SEC. 2, AN HO RD., TAIPEI, 10679 TAIWAN, R.O.C.

P.O. BOX: 96-485 TAIPEI, TAIWAN, R.O.C.

◆ PHONE: 886-2-27361397~8, 886-2-27366612~4

◆ E-MAIL: ctetommy@ms15.hinet.net

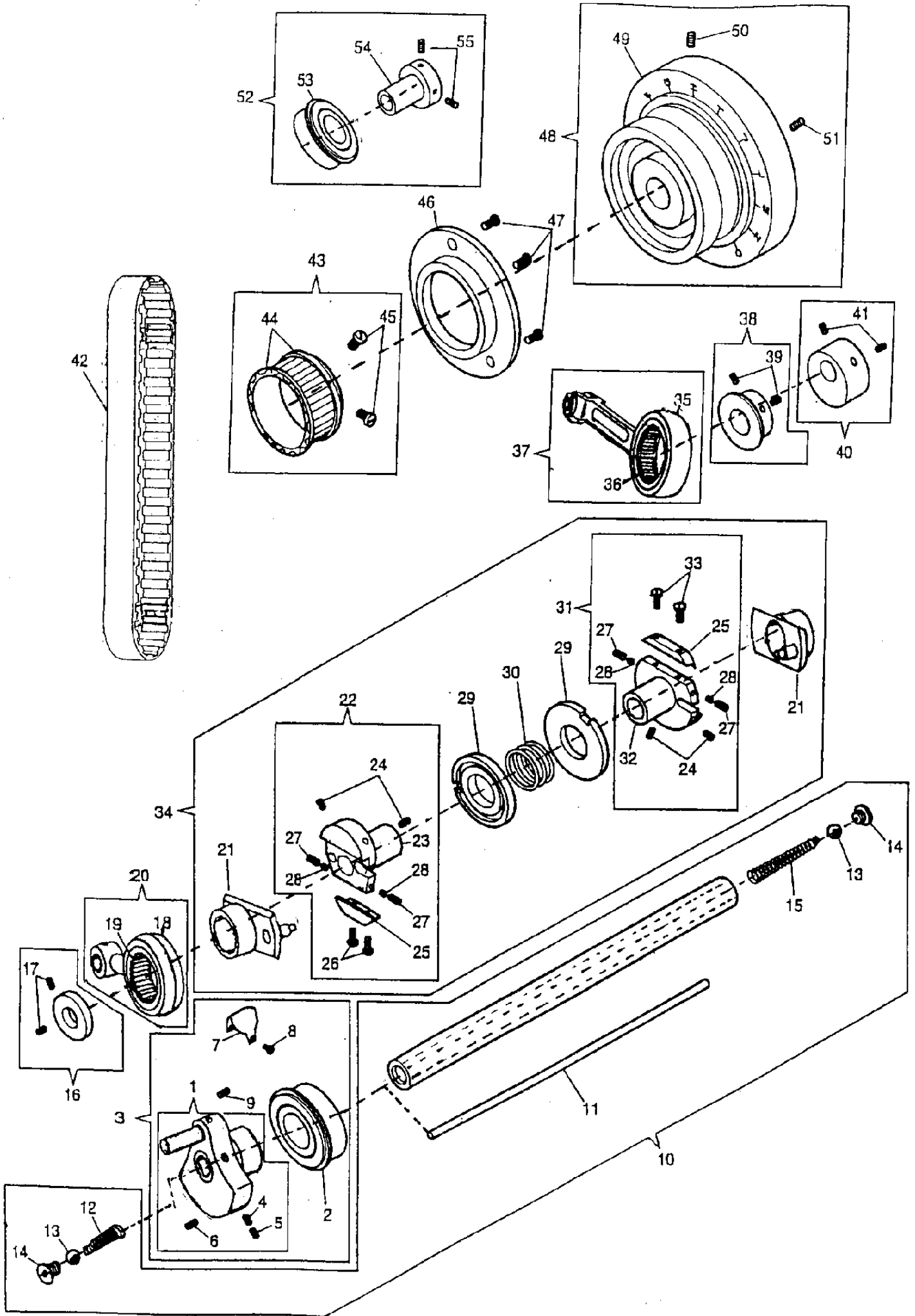
◆ FAX: 886-2-27361324, 886-2-27388188

◆ <http://www.chungtien.com.tw>

CONTENTS

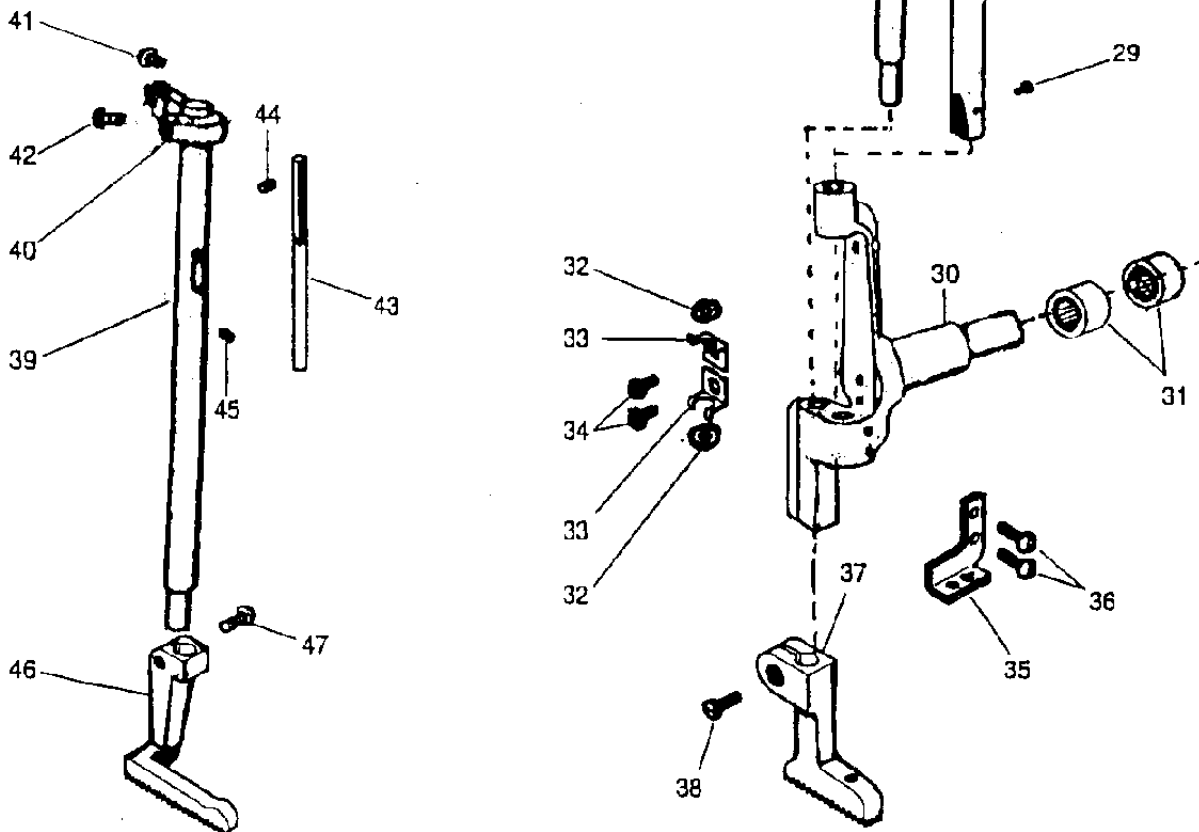
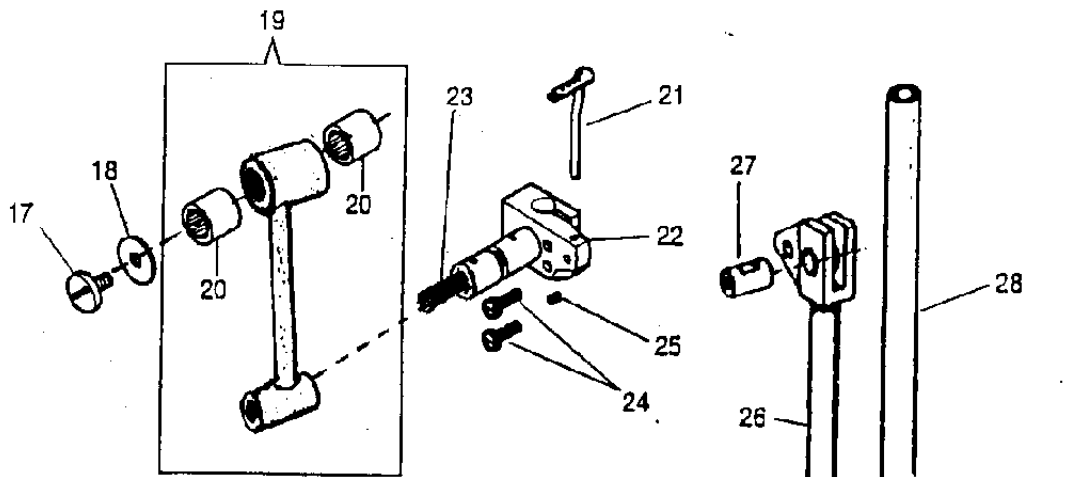
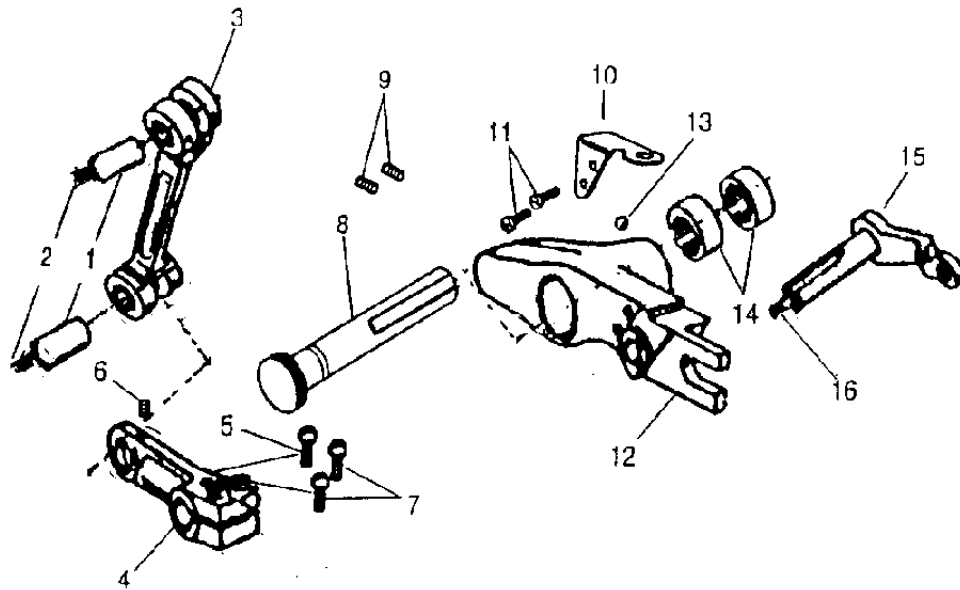
1. UPPER SHAFT ASSEMBLY COMPONENTS.....	1
2. FRONT ASSEMBLY SEWING ARM COMPONENTS.....	3
3. EXTERNAL PARTS SEWING ARM COMPONENTS.....	5
4. LOWER SHAFT ASSEMBLY COMPONENTS.....	7
5. FRONT ASSEMBLY SEWING BED COMPONENTS.....	9
6. CROSS SHAFT IN SEWING BED COMPONENTS.....	11
7. EXTERNAL PARTS SEWING ARM COMPONENTS.....	13
8. THREAD TENSION CONTROLLER COMPONENTS.....	15
9. MISCELLANEOUS COVER COMPONENTS FOR MACHINE FRAME....	17
10. MISCELLANEOUS COVER COMPONENTS FOR MACHINE FRAME... 	19

1. UPPER SHAFT ASSEMBLY COMPONENTS



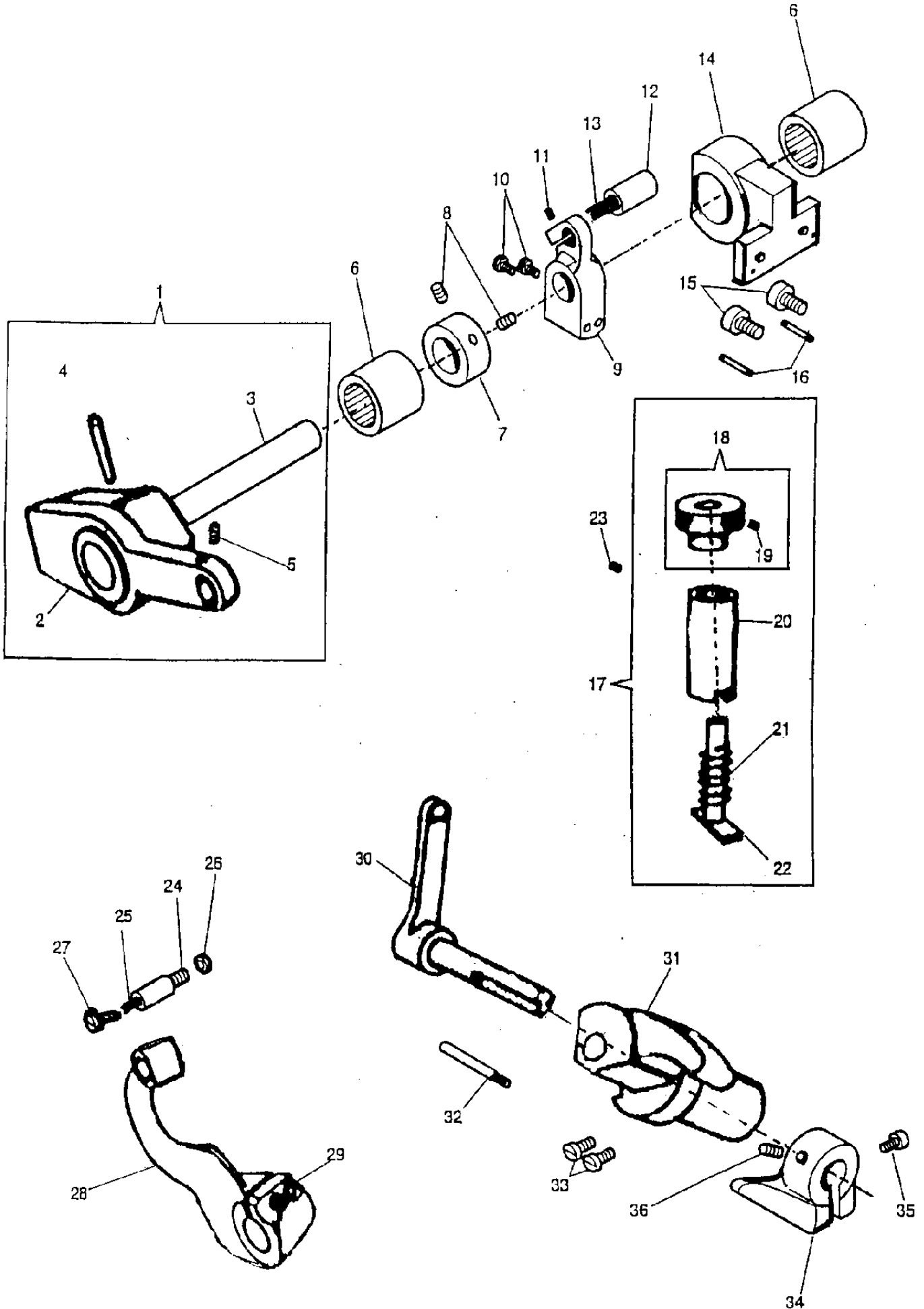
NO.	PART NO.	DESCRIPTION
1	CT415138	NEEDLE BAR CRANK WITH CT500272-833, CT544358 AND CT549024
2	CT32848	ARM SHAFT BALL BEARING (FRONT)
3	CT281239	NEEDLE BAR CRANK COMPLETE, NOS. CT415138 AND CT32848, CT281206, CT281258, CT549024, CT544358, CT545205-451
4	CT549024	NEEDLE BAR CRANK POSITION SCREW
5	CT544358	NEEDLE BAR CRANK POSITION SCREW CHECK SCREW
6	CT500272-833	NEEDLE BAR CRANK SET SCREW
7	CT281206	NEEDLE BAR CRANK COVER
8	CT545205-451	NEEDLE BAR CRANK COVER SCREW (2)
9	CT281258	NEEDLE BAR CRANK OIL PACKING (WICK)
10	CT415128	ARM SHAFT WITH CT268009, CT268044, CT268264, TWO EACH CT268214 AND CT414578
11	CT268264	ARM SHAFT OIL CONTROL ROD (WOOD)
12	CT268009	ARM SHAFT OIL STOP BALL SPRING (FRONT)
13	CT268214	ARM SHAFT OIL STOP BALL 5/32 IN. DIA. (2)
14	CT414578	ARM SHAFT OIL STOP BALL SCREW (2)
15	CT268044	ARM SHAFT OIL STOP BALL SPRING (REAR)
16	CT415308	LIFTING ECCENTRIC SPACING COLLAR WITH TWO CT414529
17	CT414529	NEEDLE BAR ROCK FRAME DRIVING ECCENTRIC SPACING COLLAR SET SCREW (2)
18	CT267608	NEEDLE BAR ROCK FRAME DRIVING CONNECTION
19	CT271055	NEEDLE BAR ROCK FRAME DRIVING CONNECTION NEEDLE BEARING
20	CT267609	NEEDLE BAR ROCK FRAME DRIVING CONNECTION CT267608 WITH CT271055
21	CT267610	NEEDLE BAR ROCK FRAME DRIVING ECCENTRIC
21	CT267610	LIFTING ECCENTRIC
22	CT415078	NEEDLE BAR ROCK FRAME DRIVING ECCENTRIC FLANGE CT415079 WITH CT267623 AND TWO EACH CT241763, CT414555, CT414557 AND CT374098
23	CT415079	NEEDLE BAR ROCK FRAME DRIVING ECCENTRIC FLANGE
24	CT414555	NEEDLE BAR ROCK FRAME DRIVING ECCENTRIC FLANGE SET SCREW (2)
24	CT414555	LIFTING ECCENTRIC FLANGE SET SCREW (2)
25	CT267623	NEEDLE BAR ROCK FRAME DRIVING ECCENTRIC FRICTION PLATE
25	CT267623	LIFTING ECCENTRIC FRICTION PLATE
26	CT374098	NEEDLE BAR ROCK FRAME DRIVING ECCENTRIC FRICTION PLATE SCREW (2)
27	CT414557	NEEDLE BAR ROCK FRAME DRIVING ECCENTRIC FRICTION PLATE SCREW SET SCREW (2)
27	CT414557	LIFTING ECCENTRIC FRICTION PLATE SCREW SET SCREW (2)
28	CT241763	NEEDLE BAR ROCK FRAME DRIVING ECCENTRIC FRICTION PLATE SCREW SET SCREW PACKING (2)
28	CT241763	LIFTING ECCENTRIC FRICTION PLATE SCREW SET SCREW PACKING (2)
29	CT268065	NEEDLE BAR ROCK FRAME DRIVING ECCENTRIC ADJUSTING DISC
29	CT268065	LIFTING ECCENTRIC ADJUSTING DISC
30	CT267618	LIFTING ECCENTRIC ADJUSTING DISC SPRING
31	CT415076	LIFTING ECCENTRIC FLANGE CT415077 WITH CT267623 AND TWO EACH CT241763, CT414555, CT414557 AND CT544286
32	CT415077	LIFTING ECCENTRIC FLANGE
33	CT544286	LIFTING ECCENTRIC FLANGE FRICTION PLATE SCREW (2)
34	CT415081	LIFTING ECCENTRIC AND NEEDLE BAR ROCK FRAME DRIVING ECCENTRIC COMPLETE, NOS. CT267618, CT415076, CT415078 AND TWO EACH CT267610, CT268065
35	CT268490	LIFTING ECCENTRIC CONNECTION
36	CT271055	LIFTING ECCENTRIC CONNECTION NEEDLE BEARING
37	CT268491	LIFTING ECCENTRIC CONNECTION CT268490 WITH CT271055
38	CT415086	LIFTING ECCENTRIC SPACING COLLAR WITH TWO CT414529
39	CT414529	LIFTING ECCENTRIC SPACING COLLAR SET SCREW (2)
40	CT281256	COUNTERBALANCE WITH TWO CT544208-005
41	CT544208-005	COUNTERBALANCE SET SCREW (2)
42	CT268270	ARM SHAFT CONNECTION BELT (REINFORCED NEOPRENE)
43	CT281290	ARM SHAFT CONNECTION BELT PULLEY WITH TWO EACH CT414546 AND CT202253
44	CT202253	ARM SHAFT CONNECTION BELT PULLEY SPRING FLANGE (2)
45	CT414546	ARM SHAFT CONNECTION BELT PULLEY SET SCREW (2)
46	CT268004-451	ARM SHAFT BALL BEARING (BACK) HOUSING
47	CT544336	ARM SHAFT BALL BEARING (BACK) HOUSING SCREW (3)
48	CT281296-467	MACHINE PULLEY WITH CT414525 AND CT414526
49	CT281297-467	MACHINE PULLEY WITH CT414525 AND CT414526
50	CT414525	MACHINE PULLEY SET SCREW
51	CT414526	MACHINE PULLEY POSITION SCREW
52	CT281294	ARM SHAFT THRUST COLLAR WITH CT272142, CT281295-001 AND TWO CT544209-005
53	CT272142	ARM SHAFT BALL BEARING (BACK)
54	CT281295-001	ARM SHAFT THRUST COLLAR
55	CT544209-005	ARM SHAFT THRUST COLLAR SET SCREW (2)

2. FRONT ASSEMBLY SEWING ARM COMPONENTS



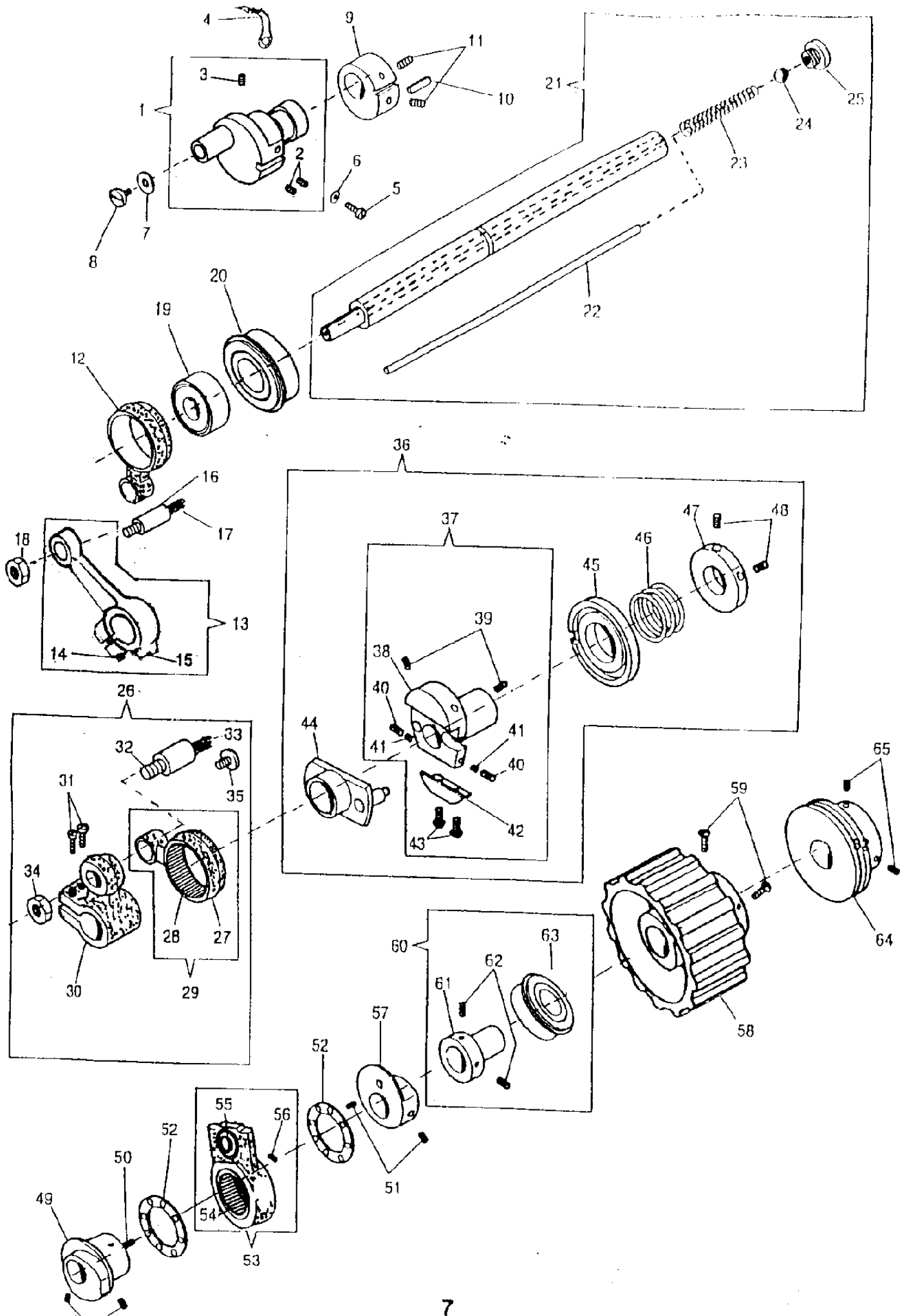
NO.	PART NO.	DESCRIPTION
1	CT267617	LIFTING ECCENTRIC CONNECTION HINGE PIN WITH CT268258
1	CT267617	LIFTING LINK HINGE PIN WITH CT268258
2	CT268258	LIFTING ECCENTRIC CONNECTION HINGE PIN OIL PACKING (WICK)
2	CT268258	LIFTING LINK HINGE PIN OIL PACKING (WICK)
3	CT267627	LIFTING LINK
4	CT415061	LIFTING CRANK WITH CT141424, CT141338 AND TWO CT414511
5	CT141338	LIFTING CRANK SET SCREW
6	CT141424	LIFTING LINK HINGE PIN SET SCREW (2)
7	CT414511	LIFTING CRANK PINCH SCREW (2)
8	CT267626	LIFTING LEVER HINGE STUD
9	CT544322	LIFTING LEVER HINGE STUD SET SCREW (2)
10	CT267718	PRESSER BAR SPRING ARM BALL RETAINER
11	CT414548	PRESSER BAR SPRING ARM BALL RETAINER SCREW (2)
12	CT415067	LIFTING LEVER WITH TWO CT267093
13	CT276025	PRESSER BAR SPRING ARM BALL
14	CT267093	LIFTING LEVER NEEDLE BEARING (2)
15	CT267631	LIFTING PRESSER BAR LIFTING CRANK WITH CT268258
16	CT268258	LIFTING PRESSER BAR LIFTING CRANK OIL PACKING (WICK)
17	CT414517	NEEDLE BAR CONNECTING LINK CAP WASHER SCREW
18	CT268139	NEEDLE BAR CONNECTING LINK CAP WASHER
19	CT281916	NEEDLE BAR CONNECTING LINK WITH TWO CT270266
20	CT270266	NEEDLE BAR CONNECTING LINK NEEDLE BEARING (2)
21	CT268512	NEEDLE THREAD GUIDE (ON NEEDLE BAR CONNECTING STUD)
22	CT281914	NEEDLE BAR CONNECTING STUD WITH CT202330, CT414545 AND TWO CT414511
23	CT202330	NEEDLE BAR CONNECTING STUD OIL PACKING (WICK)
24	CT414511	NEEDLE BAR CONNECTING STUD PINCH SCREW (2)
25	CT414545	NEEDLE THREAD GUIDE (ON NEEDLE BAR CONNECTING STUD) SET SCREW
26	CT267657	VIBRATING PRESSER BAR
27	CT267658	VIBRATING PRESSER BAR HINGE STUD
28	CT281912	NEEDLE BAR
29	CT414519	NEEDLE SET SCREW
30	CT415045	NEEDLE BAR ROCK FRAME
31	CT268029	NEEDLE BAR ROCK FRAME NEEDLE BEARING (2)
32	CT268144	NEEDLE BAR OILING FELT (2)
33	CT268278	NEEDLE BAR OILING FELT HOLDER (2)
34	CT414522	NEEDLE BAR OILING FELT HOLDER SCREW (2)
35	CT268219	NEEDLE BAR ROCK FRAME THREAD GUIDE
36	CT414539	NEEDLE BAR ROCK FRAME THREAD GUIDE SCREW (2)
37	CT559057	VIBRATING PRESSER FOOT
38	CT414638	VIBRATING PRESSER FOOT PINCH SCREW
39	CT267628	LIFTING PRESSER BAR
40	CT415059	LIFTING PRESSER BAR GUIDE BLOCK WITH CT414512 AND CT414516
41	CT414516	LIFTING PRESSER BAR GUIDE BLOCK ADJUSTING SCREW
42	CT414512	LIFTING PRESSER BAR GUIDE BLOCK PINCH SCREW
43	CT267907	LIFTING PRESSER BAR GUIDE ROD
44	CT544301	LIFTING PRESSER BAR GUIDE ROD SET SCREW (UPPER)
45	CT414530	LIFTING PRESSER BAR GUIDE ROD SET SCREW (LOWER)
46	CT559059	LIFTING PRESSER FOOT
47	CT414638	LIFTING PRESSER FOOT PINCH SCREW

3.EXTERNAL PARTS SEWING ARM COMPONENTS



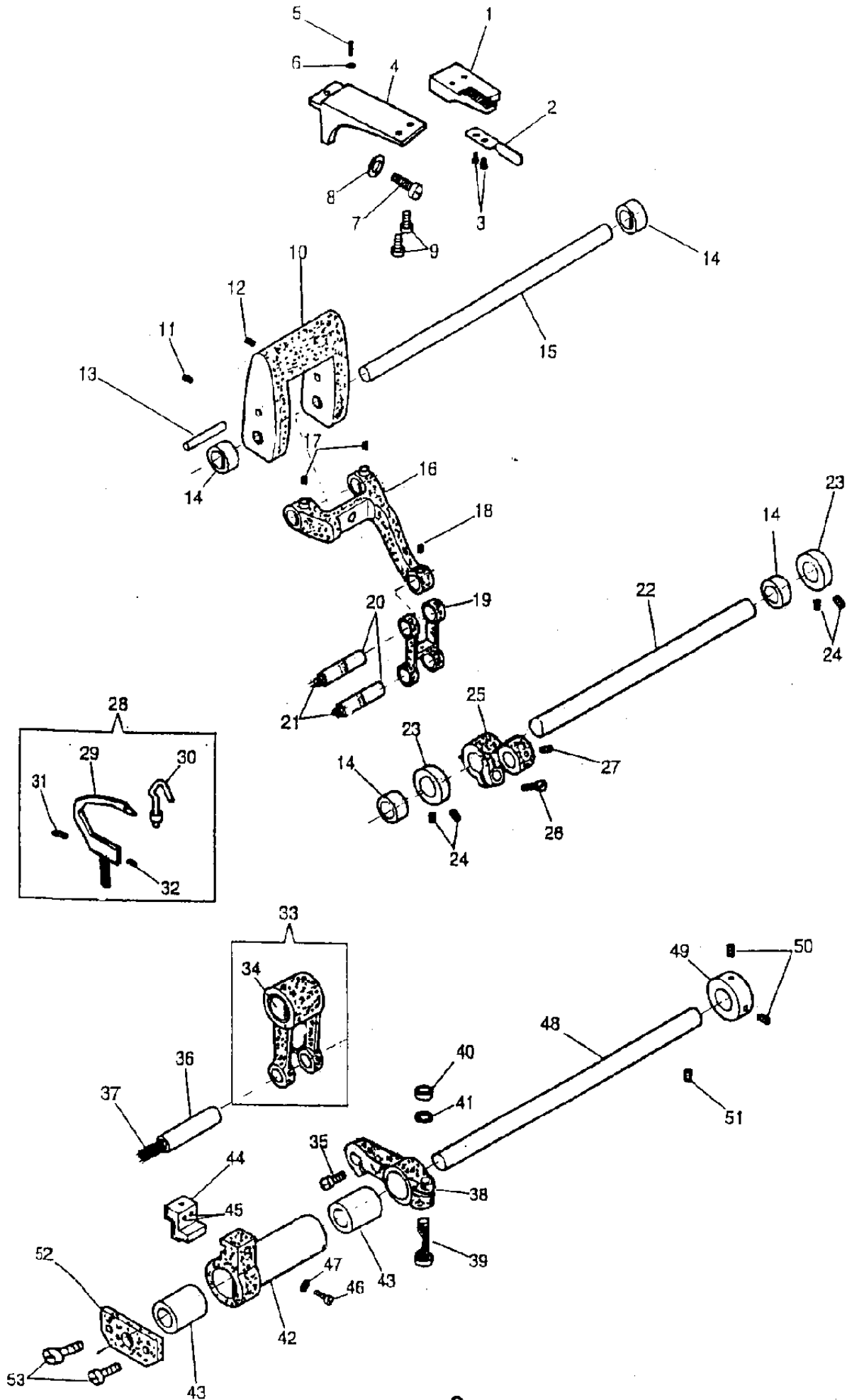
NO.	PART NO.	DESCRIPTION
1	CT32789	LIFTING ROCK SHAFT CT267633 WITH CT 32788 AND CT548035
2	CT32788	LIFTING ROCK SHAFT CRANK WITH CT141424
3	CT267633	LIFTING ROCK SHAFT
4	CT548035	LIFTING ROCK SHAFT CRANK PIN
5	CT141424	LIFTING LINK HINGE PIN SET SCREW
6	CT267110	LIFTING ROCK SHAFT NEEDLE BEARING (2)
7	CT415065	LIFTING ROCK SHAFT COLLAR WITH TWO CT504020
8	CT504020	LIFTING ROCK SHAFT COLLAR SET SCREW (2)
9	CT415069	LIFTING ECCENTRIC CONNECTION CRANK WITH CT414543 TWO CT414509
10	CT414509	LIFTING ECCENTRIC CONNECTION CRANK PINCH SCREW (2)
11	CT414543	LIFTING ECCENTRIC CONNECTION HINGE PIN PINCH SCREW
12	CT267617	LIFTING ECCENTRIC CONNECTION HINGE PIN WITH CT268258
13	CT268258	LIFTING ECCENTRIC CONNECTION HINGE PIN OIL PACKING (WICK)
14	CT415071-451	LIFTING ROCK SHAFT BRACKET
15	CT414504	LIFTING ROCK SHAFT BRACKET SCREW (2)
16	CT543841-001	LIFTING ROCK SHAFT BRACKET POSITION PIN (2)
17	CT415098	NEEDLE BAR ROCK FRAME REGULATING STUD COMPLETE, NOS. CT214529, CT415099, CT268148 AND CT268149
18	CT415099	NEEDLE BAR ROCK FRAME REGULATING STUD CAP WITH CT414528
19	CT414528	NEEDLE BAR ROCK FRAME REGULATING STUD CAP SET SCREW
20	CT268149	NEEDLE BAR ROCK FRAME REGULATING STUD SLEEVE
21	CT214529	NEEDLE BAR ROCK FRAME REGULATING STUD SPRING
22	CT268148	NEEDLE BAR ROCK FRAME REGULATING STUD
23	CT414527	NEEDLE BAR ROCK FRAME REGULATING STUD SLEEVE SET SCREW
24	CT415092	NEEDLE BAR ROCK FRAME DRIVING CONNECTION HINGE STUD
25	CT268258	NEEDLE BAR ROCK FRAME DRIVING CONNECTION HINGE STUD OIL PACKING (2)
26	CT541197	NEEDLE BAR ROCK FRAME DRIVING CONNECTION HINGE STUD NUT
27	CT545297	NEEDLE BAR ROCK FRAME DRIVING CONNECTION CAP SCREW
28	CT415094-451	NEEDLE BAR ROCK FRAME DRIVING ARM WITH TWO CT414790
29	CT414790	NEEDLE BAR ROCK FRAME DRIVING ARM PINCH SCREW (2)
30	CT267612	FOOT LIFTER CRANK
31	CT267719-451	PRESSER BAR SPRING ARM FULCRUM
32	CT414566	FOOT LIFTER CRANK STOP SCREW STUD
33	CT350604	PRESSER BAR SPRING ARM FULCRUM SET SCREW (2)
34	CT415122	FOOT LIFTER ARM WITH CT414509 AND CT545213
35	CT414509	FOOT LIFTER ARM PINCH SCREW
36	CT545213	FOOT LIFTER ARM SET SCREW

4. LOWER SHAFT ASSEMBLY COMPONENTS



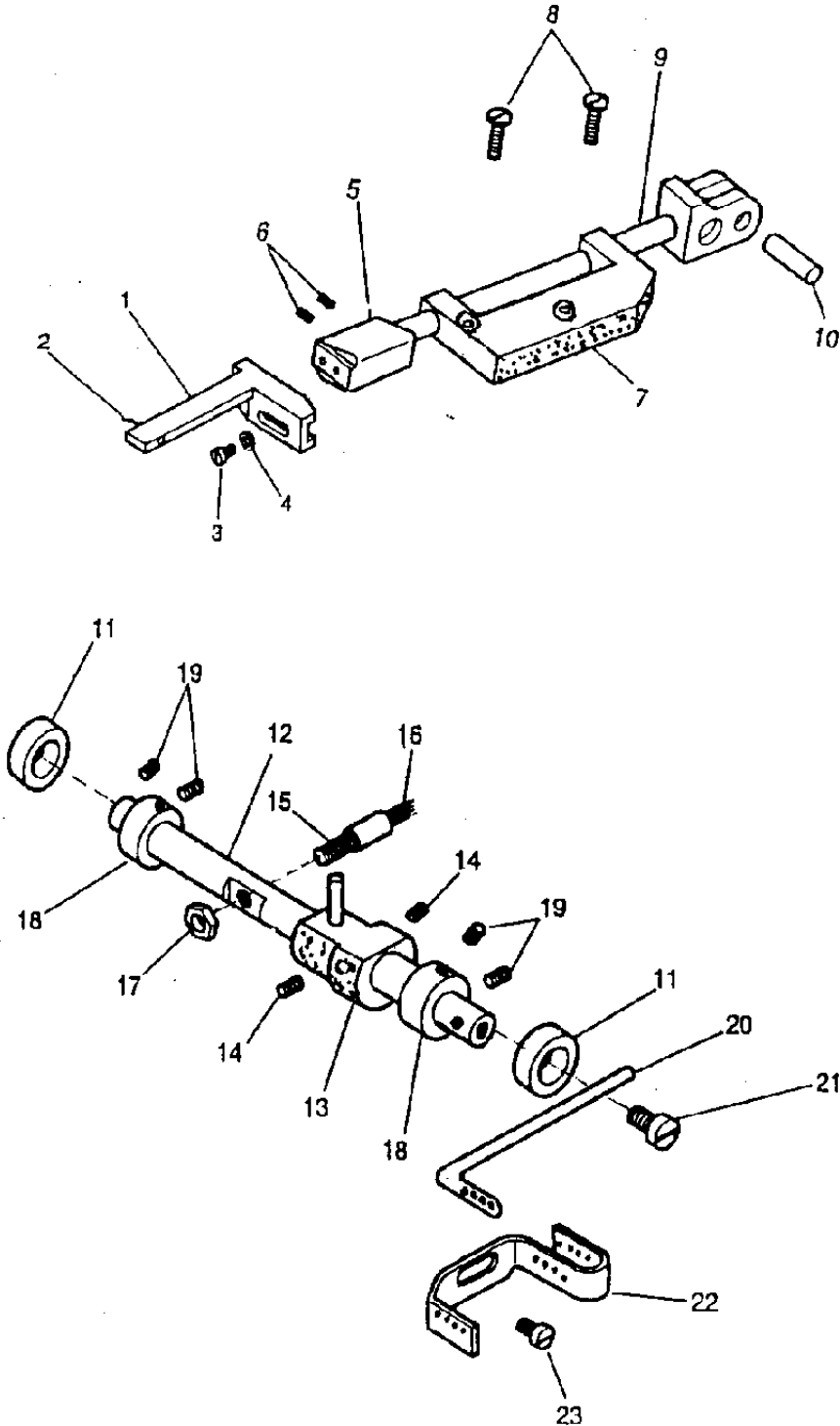
NO.	PART NO.	DESCRIPTION
1	CT415176	LOOPER DRIVING CRANK WITH CT500264-833 AND TWO CT374099
2	CT374099	LOOPER DRIVING CRANK POSITION SCREW (2)
3	CT500264-833	LOOPER DRIVING CRANK SET SCREW
4	CT268102	LOOPER DRIVING CRANK OIL HOLE COVER
5	CT414563	LOOPER DRIVING CRANK OIL HOLE COVER SCREW
6	CT204925	LOOPER DRIVING CRANK OIL HOLE COVER SCREW WASHER
7	CT418465	LOOPER DRIVING CONNECTION WASHER
8	CT414518	LOOPER DRIVING CONNECTION WASHER SCREW
9	CT415210	FEED LIFTING ECCENTRIC WITH CT268077 AND TWO CT544208-005
10	CT268077	FEED LIFTING ECCENTRIC LUBRICATING PAD (WOOD)
11	CT544208-005	FEED LIFTING ECCENTRIC SET SCREW (2)
12	CT268074	FEED LIFTING CONNECTION
13	CT415206	FEED LIFTING ROCK SHAFT CRANK WITH CT414549 AND TWO CT414511
14	CT414511	FEED LIFTING ROCK SHAFT CRANK PINCH SCREW (2)
15	CT414549	FEED LIFTING ROCK SHAFT CRANK POSITION SCREW
16	CT415092	FEED LIFTING CONNECTION HINGE STUD
17	CT268258	FEED LIFTING CONNECTION HINGE STUD OIL PACKING (WICK)
18	CT541197	FEED LIFTING CONNECTION HINGE STUD NUT
19	CT281216	BED SHAFT BALL BEARING
20	CT281224	BED SHAFT BALL BEARING
21	CT559038	BED SHAFT WITH CT268044, CT268214, CT268265 AND CT414578
22	CT268265	BED SHAFT OIL CONTROL ROD (WOOD)
23	CT268044	BED SHAFT OIL STOP BALL SPRING
24	CT268214	BED SHAFT OIL STOP BALL, 5/32 IN. DIA.
25	CT414578	BED SHAFT OIL STOP BALL SCREW
26	CT415212	FEED DRIVING ROCK SHAFT CRANK CT415213 WITH CT268061, CT415091, CT541197 AND CT545297
27	CT267608	FEED DRIVING CONNECTION
28	CT271055	FEED DRIVING CONNECTION NEEDLE BEARING
29	CT267609	FEED DRIVING CONNECTION CT267608 WITH CT271055
30	CT415213	FEED DRIVING ROCK SHAFT CRANK WITH TWO CT414511
31	CT414511	FEED DRIVING ROCK SHAFT CRANK PINCH SCREW (2)
32	CT415092	FEED DRIVING CONNECTION HINGE STUD
33	CT268258	FEED DRIVING CONNECTION HINGE STUD OIL PACKING (WICK)
34	CT541197	FEED DRIVING CONNECTION HINGE STUD NUT
35	CT545297	FEED DRIVING CONNECTION CAP SCREW
36	CT415082	FEED DRIVING ECCENTRIC COMPLETE, NOS. CT268610, CT268065, CT268066, CT412011 AND CT415073
37	CT415073	FEED DRIVING ECCENTRIC FLANGE CT415074 WITH CT267623, AND TWO EACH CT241763, CT414555, CT4414557 AND CT374098
38	CT415074	FEED DRIVING ECCENTRIC FLANGE
39	CT414555	FEED DRIVING ECCENTRIC FLANGE SET SCREW (2)
40	CT414557	FEED DRIVING ECCENTRIC FRICTION PLATE SCREW SET SCREW (2)
41	CT241763	FEED DRIVING ECCENTRIC FRICTION PLATE SCREW SET SCREW PACKING (BRASS) (2)
42	CT267623	FEED DRIVING ECCENTRIC FRICTION PLATE
43	CT374098	FEED DRIVING ECCENTRIC FRICTION PLATE SCREW (2)
44	CT267610	FEED DRIVING ECCENTRIC
45	CT268065	FEED DRIVING ECCENTRIC ADJUSTING DISC
46	CT268066	FEED DRIVING ECCENTRIC ADJUSTING DISC SPRING
47	CT412011	FEED DRIVING ECCENTRIC ADJUSTING DISC SPRING COLLAR WITH TWO CT544325
48	CT544325	FEED DRIVING ECCENTRIC ADJUSTING DISC SPRING COLLAR SET SCREW (2)
49	CT415187	SPREADER DRIVING ECCENTRIC AND CT543808-002 WITH TWO CT414528
50	CT543808-002	SPREADER DRIVING ECCENTRIC PIN
51	CT414528	SPREADER DRIVING ECCENTRIC SET SCREW (2)
51	CT414528	SPREADER DRIVING ECCENTRIC COUNTERBALANCE SET SCREW (2)
52	CT268220	SPREADER DRIVING ECCENTRIC THRUST WASHER (2)
53	CT281246	SPREADER DRIVING CONNECTION WITH CT415368, CT281248 AND CT544201-001
54	CT415368	SPREADER DRIVING CONNECTION NEEDLE BEARING
55	CT281248	SPREADER DRIVING ROCK SHAFT SCREW STUD BALL ROLLER
56	CT544203-001	SPREADER DRIVING ROCK SHAFT SCREW STUD BALL ROLLER SET SCREW
57	CT415190	SPREADER DRIVING ECCENTRIC COUNTERBALANCE WITH TWO CT414528
58	CT281292	BED SHAFT CONNECTION BELT PULLEY WITH TWO CT414546
59	CT414546	BED SHAFT CONNECTION BELT PULLEY SET SCREW (2)
60	CT281294	BED SHAFT THRUST COLLAR WITH CT281295-001, CT272142 AND TWO CT544209-005
61	CT281295-001	BED SHAFT THRUST COLLAR
62	CT544209-005	BED SHAFT THRUST COLLAR SET SCREW (2)
63	CT272142	BED SHAFT THRUST COLLAR BEARING
64	CT559040	BED SHAFT PULLEY
65	CT544209-005	BED SHAFT PULLEY SET SCREW (2)

5.FRONT ASSEMBLY SEWING BED COMPONENTS



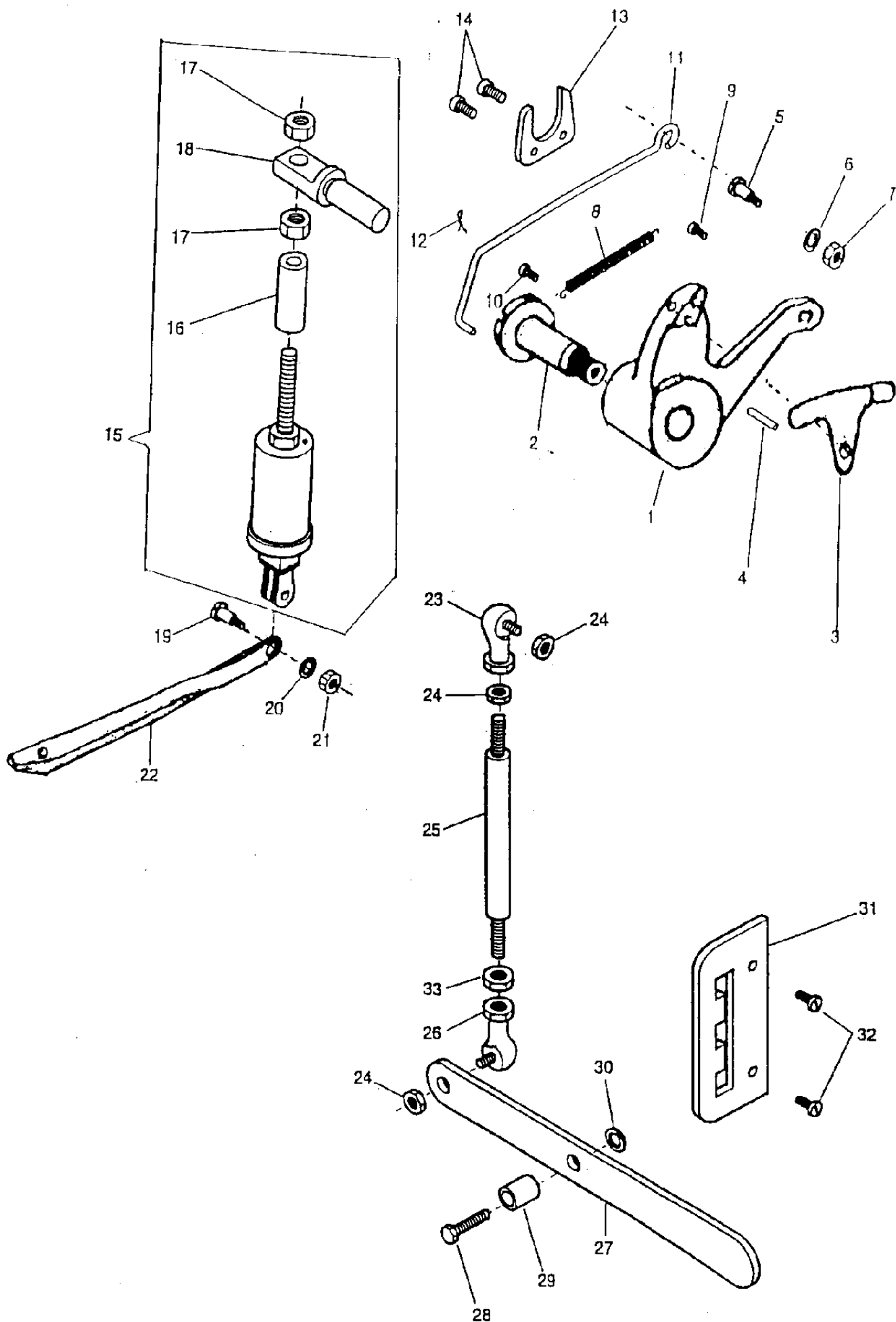
NO.	PART NO.	DESCRIPTION
1	CT559061	FEED DOG
2	CT267665	LOOP DEFLECTOR
3	CT229	LOOP DEFLECTOR SCREW (2)
4	CT559064	FEED DOG SHANK
5	CT414559	FEED DOG SHANK ADJUSTING SCREW
6	CT541200	FEED DOG SHANK ADJUSTING SCREW LOCK NUT
7	CT414520	FEED DOG SHANK SCREW
8	CT543804-004	FEED DOG SHANK SCREW WASHER
9	CT374107-003	FEED DOG SCREW (2)
10	CT559049	FEED DRIVING ROCK FRAME
11	CT549024	FEED DRIVING ROCK FRAME POSITION SCREW
12	CT500264-833	FEED DRIVING ROCK FRAME SET SCREW
13	CT559051	FEED BAR HINGE PIN
14	CT415297	FEED DRIVING ROCK SHAFT BUSHING (2)
14	CT415297	FEED LIFTING ROCK SHAFT BUSHING (2)
15	CT268070	FEED DRIVING ROCK SHAFT
16	CT559046	FEED BAR
17	CT544204-001	FEED BAR SET SCREW (2)
18	CT545213	FEED LIFTING LINK HINGE PIN SET SCREW
19	CT268078	FEED LIFTING LINK
20	CT268079	FEED LIFTING LINK HINGE PIN WITH CT268258 (2)
21	CT268258	FEED LIFTING LINK HINGE PIN OIL PACKING (WICK) (2)
22	CT559052	FEED LIFTING ROCK SHAFT
23	CT415065	FEED LIFTING ROCK SHAFT COLLAR WITH TWO CT504020 (2)
24	CT504020	FEED LIFTING ROCK SHAFT COLLAR SET SCREW (2)
25	CT415204	FEED LIFTING CRANK WITH CT414501 AND CT545213
26	CT414501	FEED LIFTING CRANK PINCH SCREW
27	CT545213	FEED LIFTING LINK HINGE PIN SET SCREW
28	CT281208	LOOPER AND NEEDLE GUARD COMPLETE, NOS. CT281207 AND CT268380
29	CT268380	LOOPER WITH CT141478 AND CT141494
30	CT281207	NEEDLE GUARD
31	CT141478	NEEDLE GUARD SET SCREW (BACK)
32	CT141494	NEEDLE GUARD SET SCREW (FRONT)
33	CT281223	LOOPER DRIVING CONNECTION WITH CT415500
34	CT415500	LOOPER DRIVING CONNECTION BUSHING
35	CT414516	LOOPER CARRIER CRANK HINGE PIN PINCH SCREW
36	CT268208	LOOPER CARRIER CRANK HINGE PIN WITH CT268258
37	CT268258	LOOPER CARRIER CRANK HINGE PIN OIL PACKING (WICK)
38	CT415174	LOOPER CARRIER CRANK WITH CT414516
39	CT415292	LOOPER CARRIER CRANK CLAMPING STUD
40	CT541198	LOOPER CARRIER CRANK CLAMPING STUD NUT
41	CT548459	LOOPER CARRIER CRANK CLAMPING STUD WASHER
42	CT559041	LOOPER CARRIER WITH TWO CT145500
43	CT415500	LOOPER CARRIER BUSHING (2)
44	CT559055	LOOPER HOLDER
45	CT414558	LOOPER SET SCREW (2)
46	CT414750-002	LOOPER HOLDER SCREW
47	CT543804-004	LOOPER HOLDER SCREW WASHER
48	CT269617	LOOPER CARRIER SHAFT
49	CT415172	LOOPER CARRIER SHAFT COLLAR WITH TWO CT544204-001
50	CT544204-001	LOOPER CARRIER SHAFT COLLAR SET SCREW (2)
51	CT544209-003	LOOPER CARRIER SHAFT SET SCREW
52	CT559044	LOOPER CARRIER SHAFT SUPPORTING PLATE
53	CT414518	LOOPER CARRIER SHAFT SUPPORTING PLATE SCREW (2)

6.CROSS SHAFT IN SEWING BED COMPONENTS



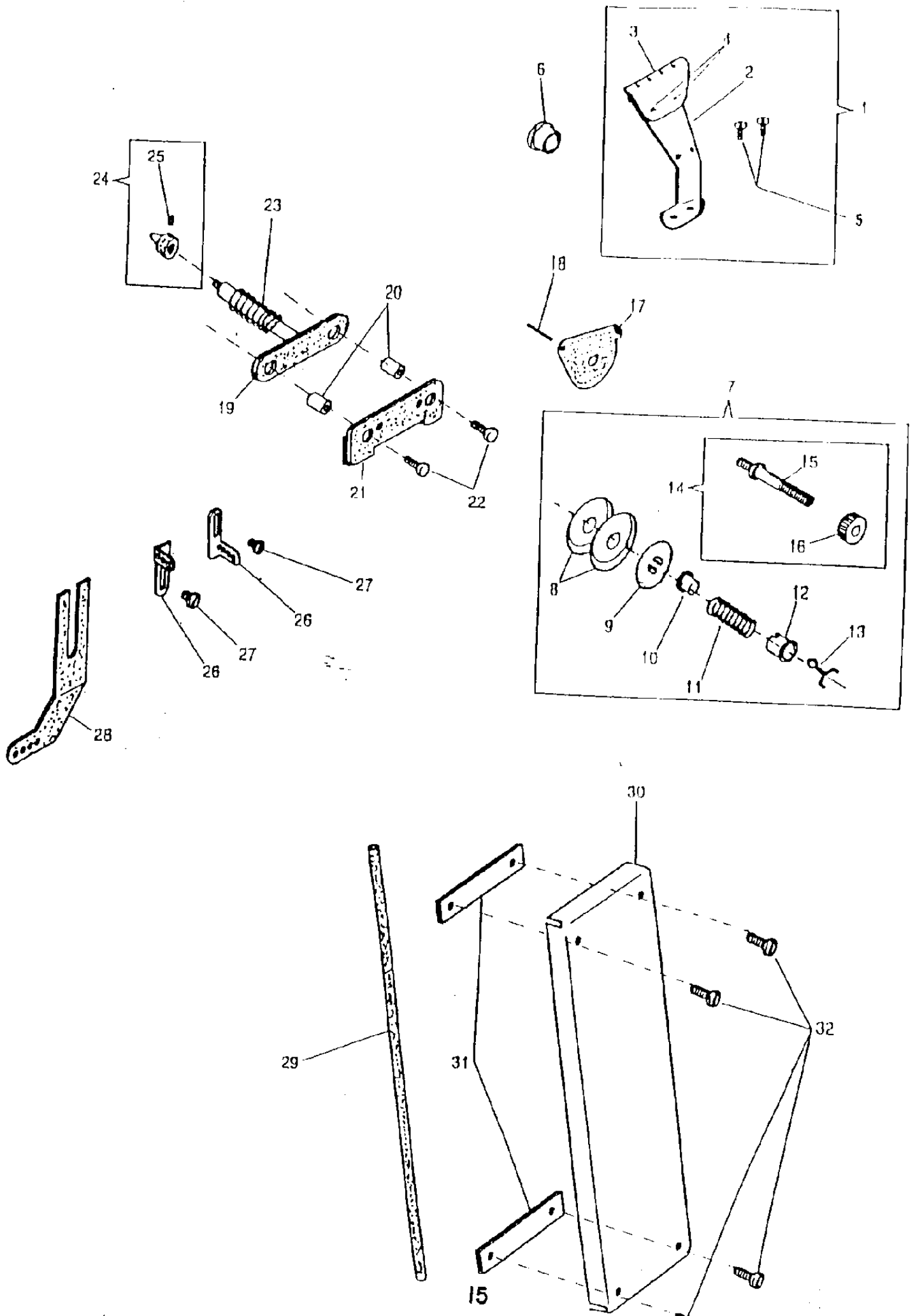
NOI.	PART NO.	DESCRIPTION
1	CT281975	SPREADER WITH CT268162
2	CT268162	SPREADER POINT
3	CT414552	SPREADER SCREW
4	CT547670	SPREADER SCREW WASHER
5	CT415196	SPREADER HOLDER WITH TWO CT414529
6	CT414529	SPREADER HOLDER SET SCREW (2)
7	CT268184	SPREADER BAR BRACKET
8	CT414524	SPREADER BAR BRACKET SCREW (2)
9	CT559065	SPREADER BAR
10	CT268190	SPREADER DRIVING PIN
11	CT415297	SPREADER DRIVING ROCK SHAFT BUSHING (2)
12	CT415389	SPREADER DRIVING ROCK SHAFT WITH CT504019
13	CT415194	SPREADER DRIVING CRANK WITH TWO CT544204-001
14	CT544201-001	SPREADER DRIVING CRANK SET SCREW (2)
15	CT281250	SPREADER DRIVING ROCK SHAFT SCREW STUD
16	CT32825	SPREADER DRIVING ROCK SHAFT SCREW STUD OIL PACKING (WICK)
17	CT545424	SPREADER DRIVING ROCK SHAFT SCREW STUD NUT
18	CT415065	SPREADER DRIVING ROCK SHAFT COLLAR WITH TWO CT504020 (2)
19	CT504020	SPREADER DRIVING ROCK SHAFT COLLAR SET SCREW (4)
20	CT268052	LOOPER THREAD TAKE-UP ROD
21	CT504019	LOOPER THREAD TAKE-UP ROD SET SCREW
22	CT269619	LOOPER THREAD GUIDE (ON FRONT)
23	CT414510	LOOPER THREAD GUIDE SCREW

7.EXTERNAL PARTS SEWING ARM COMPONENTS



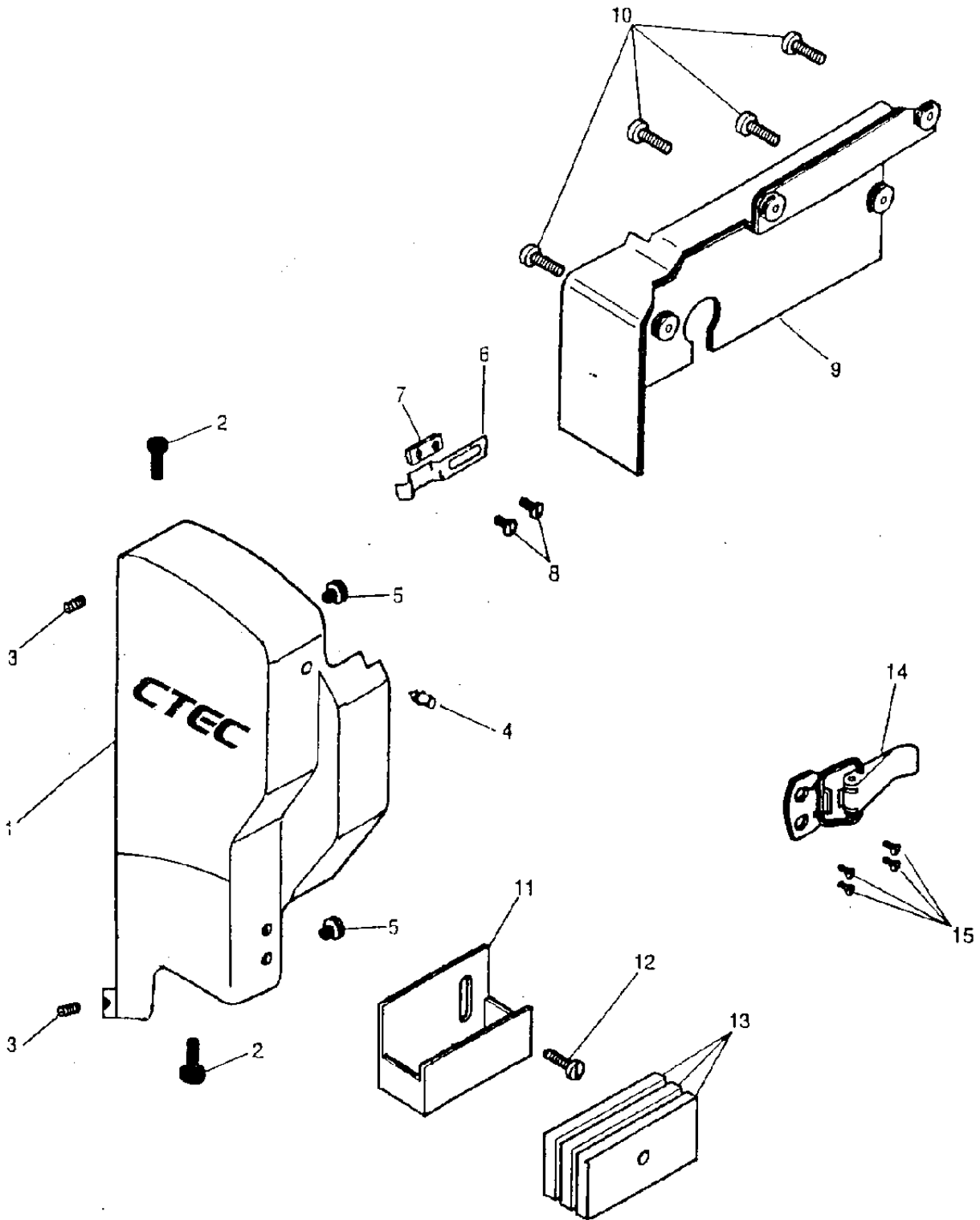
NO.	PART NO.	DESCRIPTION
1	CT281929	FOOT LIFTER LEVER WITH CT543850-001
2	CT201363	FOOT LIFTER LEVER HINGE SCREW
3	CT267707	NEEDLE THREAD TENSION RELEASING PLATE (ADJUSTABLE)
4	CT543850-001	NEEDLE THREAD TENSION RELEASING PLATE PIN
5	CT414577	FOOT LIFTER LEVER ROD HINGE SCREW
6	CT543804-004	FOOT LIFTER LEVER ROD HINGE SCREW WASHER
7	CT541166-003	FOOT LIFTER LEVER ROD HINGE SCREW NUT
8	CT204348	FOOT LIFTER LEVER SPRING
9	CT414570	FOOT LIFTER LEVER SPRING SCREW EYE
10	CT544336	FOOT LIFTER LEVER SPRING SCREW
11	CT267704	FOOT LIFTER LEVER ROD WITH CT248423
12	CT248423	FOOT LIFTER LEVER ROD COTTER PIN
13	CT267650	PRESSER BAR SPRING HOUSING SUPPORT RETAINER
14	CT545205-451	PRESSER BAR SPRING HOUSING SUPPORT RETAINER SCREW (2)
15	CT415106	PRESSER BAR SPRING HOUSING COMPLETE
16	CT559077	PRESSER BAR SPRING HOUSING COLLAR
17	CT541198	PRESSER BAR SPRING HOUSING NUT (2)
18	CT267714	PRESSER BAR SPRING HOUSING SUPPORT
19	CT414567	PRESSER BAR SPRING ARM HINGE SCREW
20	CT548154	PRESSER BAR SPRING ARM HINGE SCREW WASHER
21	CT545405	PRESSER BAR SPRING ARM HINGE SCREW NUT
22	CT267738	PRESSER BAR SPRING ARM
23	CT412373	LIFTING ROD CONNECTION (UPPER)
24	CT541166-001	LIFTING ROD CONNECTION NUT (3)
25	CT559068	LIFTING ROD
26	CT559067	LIFTING ROD CONNECTION (LOWER)
27	CT559069	LIFTING LEVER
28	CT544499-072	LIFTING LEVER HINGE SCREW
29	CT559070	LIFTING LEVER HINGE SCREW COLLAR
30	CT543874-005	LIFTING LEVER HINGE SCREW WASHER
31	CT559071	LIFTING LEVER LATCH PLATE
32	CT414508	LIFTING LEVER LATCH PLATE SCREW (2)
33	CT414774	LIFTING ROD NUT (LOWER)

8.THREAD TENSION CONTROLLER COMPONENTS



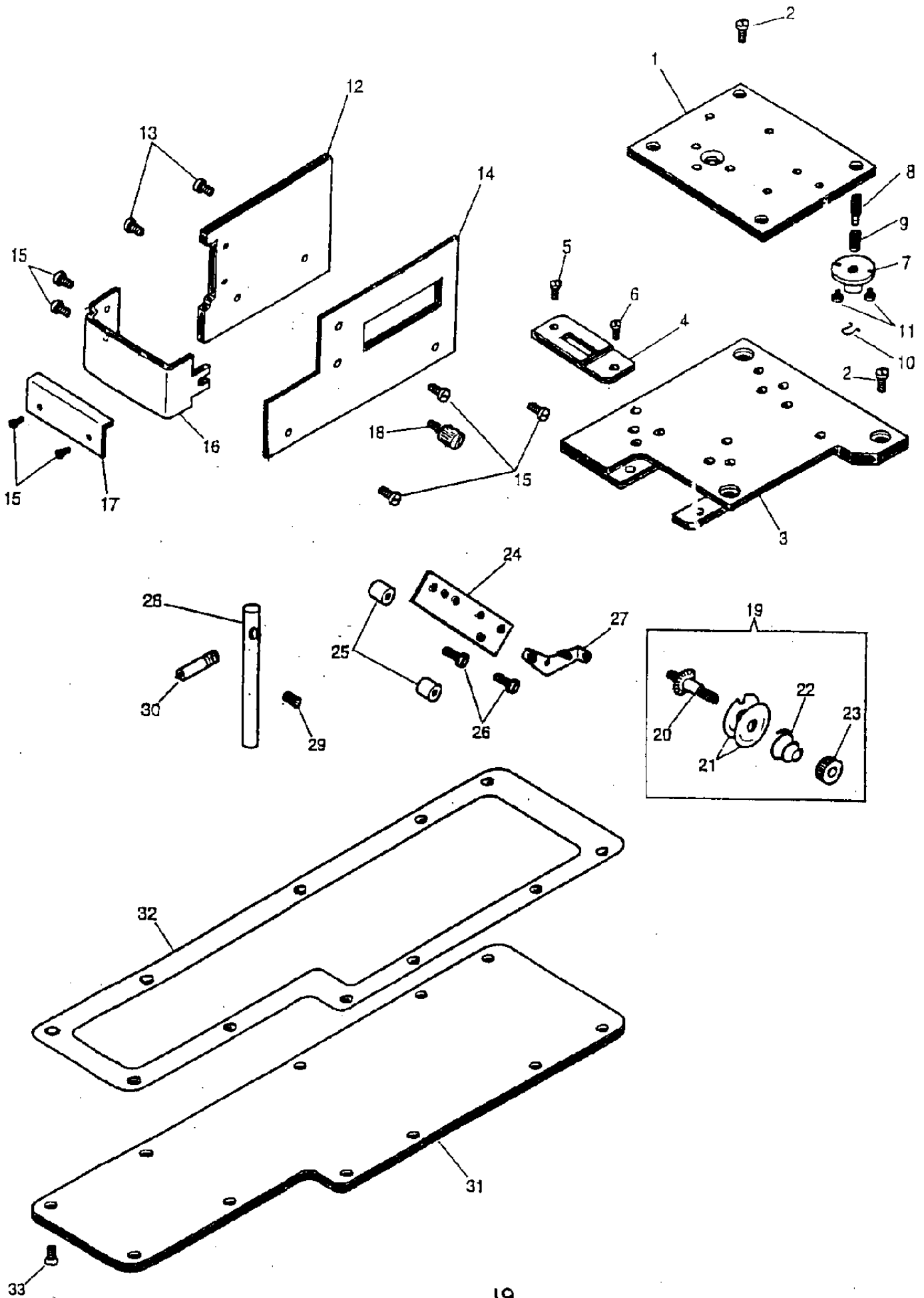
NO.	PART NO.	DESCRIPTION
1	CT268506	LOOPER THREAD GUIDE (TOP OF ARM) BRACKET CT268111 WITH CT268505 AND TWO CT50169
2	CT268111	LOOPER THREAD GUIDE (TOP OF ARM) BRACKET
3	CT268505	LOOPER THREAD GUIDE (TOP OF ARM)
4	CT50169	LOOPER THREAD GUIDE (TOP OF ARM) BRACKET SCREW (2)
5	CT414537	LOOPER THREAD GUIDE (TOP OF ARM) BRACKET SCREW (2)
6	CT544875	ARM PLUG
7	CT267971	NEEDLE THREAD TENSION COMPLETE, NOS. CT32572, CT59538, CT59539, CT131741, CT131741, CT143657, CT143658 AND TWO CT2102
8	CT2102	NEEDLE THREAD TENSION DISC (2)
9	CT32572	NEEDLE THREAD TENSION RELEASING DISC
10	CT59538	NEEDLE THREAD TENSION SPRING BUSHING (BACK)
11	CT131741	NEEDLE THREAD TENSION SPRING
12	CT143657	NEEDLE THREAD TENSION SPRING BUSHING (FRONT)
13	CT143658	NEEDLE THREAD TENSION THUMB NUT LOCKING SPRING
14	CT59539	NEEDLE THREAD TENSION STUD CT50326 WITH CT51570
15	CT50326	NEEDLE THREAD TENSION STUD
16	CT51570	NEEDLE THREAD TENSION THUMB NUT
17	CT54279	NEEDLE THREAD TENSION THREAD GUIDE (DOUBLE)
18	CT226206	NEEDLE THREAD TENSION RELEASING PIN
19	CT415357	NEEDLE THREAD TENSION RELEASER
20	CT543853-003	NEEDLE THREAD TENSION BRACKET SPACING COLLAR (2)
21	CT268167	NEEDLE THREAD TENSION BRACKET
22	CT544336	NEEDLE THREAD TENSION BRACKET SCREW (2)
23	CT204365	NEEDLE THREAD TENSION RELEASER SPRING
24	CT415252	NEEDLE THREAD TENSION RELEASER CAP WITH CT504048
25	CT504048	NEEDLE THREAD TENSION RELEASER CAP SET SCREW
26	CT268513	NEEDLE THREAD GUIDE (ON SIDE OF ARM) (2)
27	CT414514	NEEDLE THREAD GUIDE SCREW (3)
28	CT268312	NEEDLE THREAD GUIDE (ON ARM HEAD)
29	CT268123	LOOPER THREAD TUBE
30	CT415342-451	LOOPER THREAD TUBE COVER
31	CT268500	LOOPER THREAD TUBE COVER CUSHION
32	CT414639	LOOPER THREAD TUBE COVER SCREW (4)

9.MISCELLANEOUS COVER COMPONENTS FOR MACHINE FRAME



NO.	PART NO.	DESCRIPTION
1	CT559029	FACE PLATE WITH CT268033 AND TWO EACH CT228661 AND CT545174-452
2	CT268330	FACE PLATE HINGE STUD (2)
3	CT545174-452	FACE PLATE HINGE STUD SET SCREW (2)
4	CT268033	FACE PLATE LOCK STUD
5	CT228661	FACE PLATE CUSHION (NEOPRENE) (2)
6	CT268032	FACE PLATE LOCK SPRING
7	CT415016	FACE PLATE LOCK SPRING PLATE
8	CT414534	FACE PLATE LOCK SPRING SCREW (2)
9	CT559079	ARM SIDE COVER
10	CT545246-452	ARM SIDE COVER SCREW (4)
11	CT267656-452	THREAD LUBRICATOR
12	CT504019	THREAD LUBRICATOR SCREW
13	CT236957	THREAD LUBRICATOR OIL PAD (FELT) (3)
14	CT559032	FACE PLATE LOCKER
15	CT374397-002	FACE PLATE LOCKER SCREW (4)

10. MISCELLANEOUS COVER COMPONENTS FOR MACHINE FRAME



NO.	PART NO.	DESCRIPTION
1	CT559037	BED PLATE (RIGHT)
2	CT414508	BED PLATE SCREW (8)
3	CT559035	BED PLATE (LEFT)
4	CT559060	THROAT PLATE
5	CT374107-001	THROAT PLATE SCREW (BACK)
6	CT414518	THROAT PLATE SCREW (FRONT)
7	CT268082	FEED REGULATING STUD SOCKET
8	CT268081	FEED REGULATING STUD
9	CT270026	FEED REGULATING STUD SPRING
10	CT240245	FEED REGULATING STUD RETAINING SPRING
11	CT545249-452	FEED REGULATING STUD SOCKET SCREW
12	CT559075	BED COVER (BACK)
13	CT414520	BED COVER (BACK) SCREW (2)
14	CT559076	BED COVER (FRONT)
15	CT544217-052	BED COVER SCREW (7)
16	CT559072	LOOPER COVER
17	CT559074	BED COVER (LEFT)
18	CT559073	LOOPER COVER THUMB SCREW
19	CT415294	LOOPER THREAD TENSION COMPLETE, NOS. CT10148, CT415291, CT541452 AND TWO CT412203
20	CT415291	LOOPER THREAD TENSION STUD
21	CT412203	LOOPER THREAD TENSION DISC (2)
22	CT10148	LOOPER THREAD TENSION SPRING
23	CT541452	LOOPER THREAD TENSION THUMB NUT
24	CT415255	LOOPER THREAD TENSION BRACKET
25	CT543853-003	LOOPER THREAD TENSION BRACKET SPACING COLLAR (2)
26	CT414532	LOOPER THREAD TENSION BRACKET SCREW (2)
27	CT268333	LOOPER THREAD TENSION THREAD GUIDE
28	CT52239	LOOPER THREAD GUIDE
29	CT544211-052	LOOPER THREAD GUIDE SET SCREW
30	CT559078	LOOPER THREAD GUIDE (PIPE)
31	CT559033	BOTTOM PLATE
32	CT559034	BOTTOM PLATE GASKET
33	CT544381	BOTTOM PLATE SCREW (6)

NUMERICAL PARTS LIST

PART NO.	DESCRIPTION	PAGE	NO.
CT229	LOOP DEFLECTOR SCREW (2)	10	3
CT2102	NEEDLE THREAD TENSION DISC (2)	16	8
CT10148	LOOPER THREAD TENSION SPRING	20	22
CT32572	NEEDLE THREAD TENSION RELEASING DISC	16	9
CT32788	LIFTING ROCK SHAFT CRANK WITH CT141424	6	2
CT32789	LIFTING ROCK SHAFT CT267633 WITH CT 32788 AND CT548035	6	1
CT32825	SPREADER DRIVING ROCK SHAFT SCREW STUD OIL PACKING (WICK)	12	16
CT32848	ARM SHAFT BALL BEARING (FRONT)	2	2
CT50169	LOOPER THREAD GUIDE (TOP OF ARM) BRACKET SCREW (2)	16	4
CT50326	NEEDLE THREAD TENSION STUD	16	15
CTS1570	NEEDLE THREAD TENSION THUMB NUT	16	16
CTS2239	LOOPER THREAD GUIDE	20	28
CTS4279	NEEDLE THREAD TENSION THREAD GUIDE (DOUBLE)	16	17
CTS9538	NEEDLE THREAD TENSION SPRING BUSHING (BACK)	16	10
CTS9539	NEEDLE THREAD TENSION STUD CT50326 WITH CT51570	16	14
CT131741	NEEDLE THREAD TENSION SPRING	16	11
CT141338	LIFTING CRANK SET SCREW	4	5
CT141424	LIFTING LINK HINGE PIN SET SCREW (2)	4	6
CT141424	LIFTING LINK HINGE PIN SET SCREW	6	5
CT141478	NEEDLE GUARD SET SCREW (BACK)	10	31
CT141494	NEEDLE GUARD SET SCREW (FRONT)	10	32
CT143657	NEEDLE THREAD TENSION SPRING BUSHING (FRONT)	16	12
CT143658	NEEDLE THREAD TENSION THUMB NUT LOCKING SPRING	16	13
CT201363	FOOT LIFTER LEVER HINGE SCREW	14	2
CT202253	ARM SHAFT CONNECTION BELT PULLEY SPRING FLANGE (2)	2	44
CT202330	NEEDLE BAR CONNECTING STUD OIL PACKING (WICK)	4	23
CT204348	FOOT LIFTER LEVER SPRING	14	8
CT204365	NEEDLE THREAD TENSION RELEASER SPRING	16	23
CT204925	LOOPER DRIVING CRANK OIL HOLE COVER SCREW WASHER	8	6
CT214529	NEEDLE BAR ROCK FRAME REGULATING STUD SPRING	6	21
CT226206	NEEDLE THREAD TENSION RELEASING PIN	16	18
CT228661	FACE PLATE CUSHION (NEOPRENE) (2)	18	5
CT236957	THREAD LUBRICATOR OIL PAD (FELT) (3)	18	13
CT240245	FEED REGULATING STUD RETAINING SPRING	20	10
CT241763	NEEDLE BAR ROCK FRAME DRIVING ECCENTRIC FRICTION PLATE SCREW SET SCREW PACKING (2)	2	28
CT241763	LIFTING ECCENTRIC FRICTION PLATE SCREW SET SCREW PACKING (2)	2	28
CT241763	FEED DRIVING ECCENTRIC FRICTION PLATE SCREW SET SCREW PACKING (BRASS) (2)	8	41
CT248423	FOOT LIFTER LEVER ROD COTTER PIN	14	12
CT267093	LIFTING LEVER NEEDLE BEARING (2)	4	14
CT267110	LIFTING ROCK SHAFT NEEDLE BEARING (2)	6	6
CT267608	NEEDLE BAR ROCK FRAME DRIVING CONNECTION	2	18
CT267608	FEED DRIVING CONNECTION	8	27
CT267609	NEEDLE BAR ROCK FRAME DRIVING CONNECTION CT267608 WITH CT271055	2	20
CT267609	FEED DRIVING CONNECTION CT267608 WITH CT271055	8	29
CT267610	NEEDLE BAR ROCK FRAME DRIVING ECCENTRIC	2	21
CT267610	LIFTING ECCENTRIC	2	21
CT267610	FEED DRIVING ECCENTRIC	8	44
CT267612	FOOT LIFTER CRANK	6	30
CT267617	LIFTING ECCENTRIC CONNECTION HINGE PIN WITH CT268258	4	1
CT267617	LIFTING LINK HINGE PIN WITH CT268258	4	1
CT267617	LIFTING ECCENTRIC CONNECTION HINGE PIN WITH CT268258	6	12
CT267618	LIFTING ECCENTRIC ADJUSTING DISC SPRING	2	30
CT267623	NEEDLE BAR ROCK FRAME DRIVING ECCENTRIC FRICTION PLATE	2	25
CT267623	LIFTING ECCENTRIC FRICTION PLATE	2	25
CT267623	FEED DRIVING ECCENTRIC FRICTION PLATE	8	42
CT267626	LIFTING LEVER HINGE STUD	4	8
CT267627	LIFTING LINK	4	3
CT267628	LIFTING PRESSER BAR	4	39
CT267631	LIFTING PRESSER BAR LIFTING CRANK WITH CT268258	4	15
CT267633	LIFTING ROCK SHAFT	6	3
CT267650	PRESSER BAR SPRING HOUSING SUPPORT RETAINER	14	13
CT267656-452	THREAD LUBRICATOR	18	11
CT267657	VIBRATING PRESSER BAR	4	26
CT267658	VIBRATING PRESSER BAR HINGE STUD	4	27
CT267665	LOOP DEFLECTOR	10	2
CT267704	FOOT LIFTER LEVER ROD WITH CT248423	14	11
CT267707	NEEDLE THREAD TENSION RELEASING PLATE (ADJUSTABLE)	14	3
CT267714	PRESSER BAR SPRING HOUSING SUPPORT	14	18

PART NO.	DESCRIPTION	PAGE	NO.
CT267718	PRESSER BAR SPRING ARM BALL RETAINER	4	10
CT267719-451	PRESSER BAR SPRING ARM FULCRUM	6	31
CT267738	PRESSER BAR SPRING ARM	14	22
CT267907	LIFTING PRESSER BAR GUIDE ROD	4	43
CT267971	NEEDLE THREAD TENSION COMPLETE, NOS. CT32572, CT59538, CT59539, CT131741, CT43657, CT143658 AND TWO CT2102	16	7
CT268004-451	ARM SHAFT BALL BEARING (BACK) HOUSING	2	46
CT268009	ARM SHAFT OIL STOP BALL SPRING (FRONT)	2	12
CT268029	NEEDLE BAR ROCK FRAME NEEDLE BEARING (2)	4	31
CT268032	FACE PLATE LOCK SPRING	18	6
CT268033	FACE PLATE LOCK STUD	18	4
CT268044	ARM SHAFT OIL STOP BALL SPRING (REAR)	2	15
CT268044	BED SHAFT OIL STOP BALL SPRING	8	23
CT268052	LOOPER THREAD TAKE-UP ROD	12	20
CT268065	NEEDLE BAR ROCK FRAME DRIVING ECCENTRIC ADJUSTING DISC	2	29
CT268065	LIFTING ECCENTRIC ADJUSTING DISC	2	29
CT268065	FEED DRIVING ECCENTRIC ADJUSTING DISC	8	45
CT268066	FEED DRIVING ECCENTRIC ADJUSTING DISC SPRING	8	46
CT268070	FEED DRIVING ROCK SHAFT	10	15
CT268074	FEED LIFTING CONNECTION	8	12
CT268077	FEED LIFTING ECCENTRIC LUBRICATING PAD (WOOD)	8	10
CT268078	FEED LIFTING LINK	10	19
CT268079	FEED LIFTING LINK HINGE PIN WITH CT268258 (2)	10	20
CT268081	FEED REGULATING STUD	20	8
CT268082	FEED REGULATING STUD SOCKET	20	7
CT268102	LOOPER DRIVING CRANK OIL HOLE COVER	8	4
CT268111	LOOPER THREAD GUIDE (TOP OF ARM) BRACKET	16	2
CT268123	LOOPER THREAD TUBE	16	29
CT268139	NEEDLE BAR CONNECTING LINK CAP WASHER	4	18
CT268144	NEEDLE BAR OILING FELT (2)	4	32
CT268148	NEEDLE BAR ROCK FRAME REGULATING STUD	6	22
CT268149	NEEDLE BAR ROCK FRAME REGULATING STUD SLEEVE	6	20
CT268162	SPREADER POINT	12	2
CT268167	NEEDLE THREAD TENSION BRACKET	16	21
CT268184	SPREADER BAR BRACKET	12	7
CT268190	SPREADER DRIVING PIN	12	10
CT268208	LOOPER CARRIER CRANK HINGE PIN WITH CT268258	10	36
CT268214	ARM SHAFT OIL STOP BALL 5/32 IN. DIA. (2)	2	13
CT268214	BED SHAFT OIL STOP BALL 5/32 IN. DIA.	8	24
CT268219	NEEDLE BAR ROCK FRAME THREAD GUIDE	4	35
CT268220	SPREADER DRIVING ECCENTRIC THRUST WASHER (2)	8	52
CT268258	LIFTING ECCENTRIC CONNECTION HINGE PIN OIL PACKING (WICK)	4	2
CT268258	LIFTING LINK HINGE PIN OIL PACKING (WICK)	4	2
CT268258	LIFTING PRESSER BAR LIFTING CRANK OIL PACKING (WICK)	4	16
CT268258	LIFTING ECCENTRIC CONNECTION HINGE PIN OIL PACKING (WICK)	6	13
CT268258	NEEDLE BAR ROCK FRAME DRIVING CONNECTION HINGE STUD OIL PACKING (2)	6	25
CT268258	FEED LIFTING CONNECTION HINGE STUD OIL PACKING (WICK)	8	17
CT268258	FEED DRIVING CONNECTION HINGE STUD OIL PACKING (WICK)	8	33
CT268258	FEED LIFTING LINK HINGE PIN OIL PACKING (WICK) (2)	10	21
CT268258	LOOPER CARRIER CRANK HINGE PIN OIL PACKING (WICK)	10	37
CT268264	ARM SHAFT OIL CONTROL ROD (WOOD)	2	11
CT268265	BED SHAFT OIL CONTROL ROD (WOOD)	8	22
CT268270	ARM SHAFT CONNECTION BELT (REINFORCED NEOPRENE)	2	42
CT268278	NEEDLE BAR OILING FELT HOLDER (2)	4	33
CT268312	NEEDLE THREAD GUIDE (ON ARM HEAD)	16	28
CT268330	FACE PLATE HINGE STUD (2)	18	2
CT268333	LOOPER THREAD TENSION THREAD GUIDE	20	27
CT268380	LOOPER WITH CT141478 AND CT141494	10	29
CT268490	LIFTING ECCENTRIC CONNECTION	2	35
CT268491	LIFTING ECCENTRIC CONNECTION CT268490 WITH CT271055	2	37
CT268500	LOOPER THREAD TUBE COVER CUSHION	16	31
CT268505	LOOPER THREAD GUIDE (TOP OF ARM)	16	3
CT268506	LOOPER THREAD GUIDE (TOP OF ARM) BRACKET CT268111 WITH CT268505 AND TWO CT50169	16	1
CT268512	NEEDLE THREAD GUIDE (ON NEEDLE BAR CONNECTING STUD)	4	21
CT268513	NEEDLE THREAD GUIDE (ON SIDE OF ARM) (2)	16	26
CT269617	LOOPER CARRIER SHAFT	10	48
CT269619	LOOPER THREAD GUIDE (ON FRONT)	12	22
CT270026	FEED REGULATING STUD SPRING	20	9

PART NO.	DESCRIPTION	PAGE	NO.
CT270266	NEEDLE BAR CONNECTING LINK NEEDLE BEARING (2)	4	20
CT271055	NEEDLE BAR ROCK FRAME DRIVING CONNECTION NEEDLE BEARING	2	19
CT271055	LIFTING ECCENTRIC CONNECTION NEEDLE BEARING	2	36
CT271055	FEED DRIVING CONNECTION NEEDLE BEARING	8	28
CT272142	ARM SHAFT BALL BEARING (BACK)	2	53
CT272142	BED SHAFT THRUST COLLAR BEARING	8	63
CT276025	PRESSER BAR SPRING ARM BALL	4	13
CT281206	NEEDLE BAR CRANK COVER	2	7
CT281207	NEEDLE GUARD	10	30
CT281208	LOOPER AND NEEDLE GUARD COMPLETE, NOS. CT281207 AND CT268380	10	28
CT281216	BED SHAFT BALL BEARING	8	19
CT281223	LOOPER DRIVING CONNECTION WITH CT415500	10	33
CT281224	BED SHAFT BALL BEARING	8	20
CT281239	NEEDLE BAR CRANK COMPLETE, NOS. CT415138 AND CT32848	2	3
CT281246	SPREADER DRIVING CONNECTION WITH CT415368, CT281248 AND CT544201-001	8	53
CT281248	SPREADER DRIVING ROCK SHAFT SCREW STUD BALL ROLLER	8	55
CT281250	SPREADER DRIVING ROCK SHAFT SCREW STUD	12	15
CT281256	COUNTERBALANCE WITH TWO CT544208-005	2	40
CT281258	NEEDLE BAR CRANK OIL PACKING (WICK)	2	9
CT281290	ARM SHAFT CONNECTION BELT PULLEY WITH TWO EACH CT414546 AND CT202253	2	43
CT281292	BED SHAFT CONNECTION BELT PULLEY WITH TWO CT414546	8	58
CT281294	ARM SHAFT THRUST COLLAR WITH CT272142, CT281295-001 AND TWO CT544209-005	2	52
CT281294	BED SHAFT THRUST COLLAR WITH CT281295-001, CT272142 AND TWO CT544209-005	8	60
CT281295-001	ARM SHAFT THRUST COLLAR	2	54
CT281295-001	BED SHAFT THRUST COLLAR	8	61
CT281296-467	MACHINE PULLEY WITH CT414525 AND CT414526	2	48
CT281297-467	MACHINE PULLEY WITH CT414525 AND CT414526	2	49
CT281912	NEEDLE BAR	4	28
CT281914	NEEDLE BAR CONNECTING STUD WITH CT202330, CT414545 AND TWO CT414511	4	22
CT281916	NEEDLE BAR CONNECTING LINK WITH TWO CT270266	4	19
CT281929	FOOT LIFTER LEVER WITH CT543850-001	14	1
CT281975	SPREADER WITH CT268162	12	1
CT350604	PRESSER BAR SPRING ARM FULCRUM SET SCREW (2)	6	33
CT374098	NEEDLE BAR ROCK FRAME DRIVING ECCENTRIC FRICTION PLATE SCREW (2)	2	26
CT374098	FEED DRIVING ECCENTRIC FRICTION PLATE SCREW (2)	8	43
CT374099	LOOPER DRIVING CRANK POSITION SCREW (2)	8	2
CT374107-001	THROAT PLATE SCREW (BACK)	20	5
CT374107-003	FEED DOG SCREW (2)	10	9
CT374397-002	FACE PLATE LOCKER SCREW (4)	18	15
CT412011	FEED DRIVING ECCENTRIC ADJUSTING DISC SPRING COLLAR WITH TWO CT544325	8	47
CT412203	LOOPER THREAD TENSION DISC (2)	20	21
CT412373	LIFTING ROD CONNECTION (UPPER)	14	23
CT414501	FEED LIFTING CRANK PINCH SCREW	10	26
CT414504	LIFTING ROCK SHAFT BRACKET SCREW (2)	6	15
CT414508	LIFTING LEVER LATCH PLATE SCREW (2)	14	32
CT414508	BED PLATE SCREW (8)	20	2
CT414509	LIFTING ECCENTRIC CONNECTION CRANK PINCH SCREW (2)	6	10
CT414509	FOOT LIFTER ARM PINCH SCREW	6	35
CT414510	LOOPER THREAD GUIDE SCREW	12	23
CT414511	LIFTING CRANK PINCH SCREW (2)	4	7
CT414511	NEEDLE BAR CONNECTING STUD PINCH SCREW (2)	4	24
CT414511	FEED LIFTING ROCK SHAFT CRANK PINCH SCREW (2)	8	14
CT414511	FEED DRIVING ROCK SHAFT CRANK PINCH SCREW (2)	8	31
CT414512	LIFTING PRESSER BAR GUIDE BLOCK PINCH SCREW	4	42
CT414514	NEEDLE THREAD GUIDE SCREW (3)	16	27
CT414516	LIFTING PRESSER BAR GUIDE BLOCK ADJUSTING SCREW	4	41
CT414516	LOOPER CARRIER CRANK HINGE PIN PINCH SCREW	10	35
CT414517	NEEDLE BAR CONNECTING LINK CAP WASHER SCREW	4	17
CT414518	LOOPER DRIVING CONNECTION WASHER SCREW	8	8
CT414518	LOOPER CARRIER SHAFT SUPPORTING PLATE SCREW (2)	10	53
CT414518	THROAT PLATE SCREW (FRONT)	20	6
CT414519	NEEDLE SET SCREW	4	29
CT414520	FEED DOG SHANK SCREW	10	7
CT414520	BED COVER (BACK) SCREW (2)	20	13
CT414522	NEEDLE BAR OILING FELT HOLDER SCREW (2)	4	34
CT414524	SPREADER BAR BRACKET SCREW (2)	12	8
CT414525	MACHINE PULLEY SET SCREW	2	50
CT414526	MACHINE PULLEY POSITION SCREW	2	51

PART NO.	DESCRIPTION	PAGE	NO.
CT414527	NEEDLE BAR ROCK FRAME REGULATING STUD SLEEVE SET SCREW	6	23
CT414528	NEEDLE BAR ROCK FRAME REGULATING STUD CAP SET SCREW	6	19
CT414528	SPREADER DRIVING ECCENTRIC SET SCREW (2)	8	51
CT414528	SPREADER DRIVING ECCENTRIC COUNTERBALANCE SET SCREW (2)	8	51
CT414529	NEEDLE BAR ROCK FRAME DRIVING ECCENTRIC SPACING COLLAR SET SCREW (2)	2	17
CT414529	LIFTING ECCENTRIC SPACING COLLAR SET SCREW (2)	2	39
CT414529	SPREADER HOLDER SET SCREW (2)	12	6
CT414530	LIFTING PRESSER BAR GUIDE ROD SET SCREW (LOWER)	4	45
CT414532	LOOPER THREAD TENSION BRACKET SCREW (2)	20	26
CT414534	FACE PLATE LOCK SPRING SCREW (2)	18	8
CT414537	LOOPER THREAD GUIDE (TOP OF ARM) BRACKET SCREW (2)	16	5
CT414539	NEEDLE BAR ROCK FRAME THREAD GUIDE SCREW (2)	4	36
CT414543	LIFTING ECCENTRIC CONNECTION HINGE PIN PINCH SCREW	6	11
CT414545	NEEDLE THREAD GUIDE (ON NEEDLE BAR CONNECTING STUD) SET SCREW	4	25
CT414546	ARM SHAFT CONNECTION BELT PULLEY SET SCREW (2)	2	45
CT414546	BED SHAFT CONNECTION BELT PULLEY SET SCREW (2)	8	59
CT414548	PRESSER BAR SPRING ARM BALL RETAINER SCREW (2)	4	11
CT414549	FEED LIFTING ROCK SHAFT CRANK POSITION SCREW	8	15
CT414552	SPREADER SCREW	12	3
CT414555	NEEDLE BAR ROCK FRAME DRIVING ECCENTRIC FLANGE SET SCREW (2)	2	24
CT414555	LIFTING ECCENTRIC FLANGE SET SCREW (2)	2	24
CT414555	FEED DRIVING ECCENTRIC FLANGE SET SCREW (2)	8	39
CT414557	NEEDLE BAR ROCK FRAME DRIVING ECCENTRIC FRICTION PLATE SCREW SET SCREW (2)	2	27
CT414557	LIFTING ECCENTRIC FRICTION PLATE SCREW SET SCREW (2)	2	27
CT414557	FEED DRIVING ECCENTRIC FRICTION PLATE SCREW SET SCREW (2)	8	40
CT414558	LOOPER SET SCREW (2)	10	45
CT414559	FEED DOG SHANK ADJUSTING SCREW	10	5
CT414563	LOOPER DRIVING CRANK OIL HOLE COVER SCREW	8	5
CT414566	FOOT LIFTER CRANK STOP SCREW STUD	6	32
CT414567	PRESSER BAR SPRING ARM HINGE SCREW	14	19
CT414570	FOOT LIFTER LEVER SPRING SCREW EYE	14	9
CT414577	FOOT LIFTER LEVER ROD HINGE SCREW	14	5
CT414578	ARM SHAFT OIL STOP BALL SCREW (2)	2	14
CT414578	BED SHAFT OIL STOP BALL SCREW	8	25
CT414638	VIBRATING PRESSER FOOT PINCH SCREW	4	38
CT414638	LIFTING PRESSER FOOT PINCH SCREW	4	47
CT414639	LOOPER THREAD TUBE COVER SCREW (4)	16	32
CT414750-002	LOOPER HOLDER SCREW	10	46
CT414774	LIFTING ROD NUT (LOWER)	14	33
CT414790	NEEDLE BAR ROCK FRAME DRIVING ARM PINCH SCREW (2)	6	29
CT415016	FACE PLATE LOCK SPRING PLATE	18	7
CT415045	NEEDLE BAR ROCK FRAME	4	30
CT415059	LIFTING PRESSER BAR GUIDE BLOCK WITH CT414512 AND CT414516	4	40
CT415061	LIFTING CRANK WITH CT41424, CT414338 AND TWO CT414511	4	4
CT415065	LIFTING ROCK SHAFT COLLAR WITH TWO CT504020	6	7
CT415065	FEED LIFTING ROCK SHAFT COLLAR WITH TWO CT504020 (2)	10	23
CT415065	SPREADER DRIVING ROCK SHAFT COLLAR WITH TWO CT504020 (2)	12	18
CT415067	LIFTING LEVER WITH TWO CT267093	4	12
CT415069	LIFTING ECCENTRIC CONNECTION CRANK WITH CT414543 TWO CT414509	6	9
CT415071-451	LIFTING ROCK SHAFT BRACKET	6	14
CT415073	FEED DRIVING ECCENTRIC FLANGE CT415074 WITH CT267623 AND TWO CT374098 II CT241763, CT414555, CT4414557 AND	8	37
CT415074	FEED DRIVING ECCENTRIC FLANGE	8	38
CT415076	LIFTING ECCENTRIC FLANGE CT415077 WITH CT267623 AND TWO EACH CT241763, CT414555, CT414557 AND CT544286	2	31
CT415077	LIFTING ECCENTRIC FLANGE	2	32
CT415078	NEEDLE BAR ROCK FRAME DRIVING ECCENTRIC FLANGE CT415079 WITH CT267623 AND TWO EACH CT241763, CT414555, CT414557 AND CT374098	2	22
CT415079	NEEDLE BAR ROCK FRAME DRIVING ECCENTRIC FLANGE	2	23
CT415081	LIFTING ECCENTRIC AND NEEDLE BAR ROCK FRAME DRIVING ECCENTRIC COMPLETE, NOS. CT267618, CT415076, CT415078 AND TWO EACH CT267610, CT268065	2	34
CT415082	FEED DRIVING ECCENTRIC COMPLETE, NOS. CT268610, CT268065, CT268066, CT412011 AND CT415073	8	36
CT415086	LIFTING ECCENTRIC SPACING COLLAR WITH TWO CT414529	2	38
CT415092	NEEDLE BAR ROCK FRAME DRIVING CONNECTION HINGE STUD	6	24
CT415092	FEED LIFTING CONNECTION HINGE STUD	8	16
CT415092	FEED DRIVING CONNECTION HINGE STUD	8	32
CT415094-451	NEEDLE BAR ROCK FRAME DRIVING ARM WITH TWO CT414790	6	28
CT415098	NEEDLE BAR ROCK FRAME REGULATING STUD COMPLETE, NOS. CT214529, CT415099, CT268148 AND CT268149	6	17

PART NO.	DESCRIPTION	PAGE	NO.
CT415099	NEEDLE BAR ROCK FRAME REGULATING STUD CAP WITH CT414528	6	18
CT415106	PRESSER BAR SPRING HOUSING COMPLETE	14	15
CT415122	FOOT LIFTER ARM WITH CT414509 AND CT545213	6	34
CT415128	ARM SHAFT WITH CT268009, CT268044, CT268264, TWO EACH CT268214 AND CT414578	2	10
CT415138	NEEDLE BAR CRANK WITH CT500272-833, CT544358 AND CT549024	2	1
CT415172	LOOPER CARRIER SHAFT COLLAR WITH TWO CT544204-001	10	49
CT415174	LOOPER CARRIER CRANK WITH CT414516	10	38
CT415176	LOOPER DRIVING CRANK WITH CT500264-833 AND TWO CT374099	8	1
CT415187	SPREADER DRIVING ECCENTRIC AND CT543808-002 WITH TWO CT414528	8	49
CT415190	SPREADER DRIVING ECCENTRIC COUNTERBALANCE WITH TWO CT414528	8	57
CT415194	SPREADER DRIVING CRANK WITH TWO CT544204-001	12	13
CT415196	SPREADER HOLDER WITH TWO CT414529	12	5
CT415204	FEED LIFTING CRANK WITH CT414501 AND CT545213	10	25
CT415206	FEED LIFTING ROCK SHAFT CRANK WITH CT414549 AND TWO CT414511	8	13
CT415210	FEED LIFTING ECCENTRIC WITH CT268077 AND TWO CT544208-005	8	9
CT415212	FEED DRIVING ROCK SHAFT CRANK CT415213 WITH CT268061, CT415091, CT541197 AND CT545297	8	26
CT415213	FEED DRIVING ROCK SHAFT CRANK WITH TWO CT414511	8	30
CT415252	NEEDLE THREAD TENSION RELEASER CAP WITH CT504048	16	24
CT415255	LOOPER THREAD TENSION BRACKET	20	24
CT415291	LOOPER THREAD TENSION STUD	20	20
CT415292	LOOPER CARRIER CRANK CLAMPING STUD	10	39
CT415294	LOOPER THREAD TENSION COMPLETE, NOS. CT10148, CT415291, CT541452 AND TWO CT412203	20	19
CT415297	FEED DRIVING ROCK SHAFT BUSHING (2)	10	14
CT415297	FEED LIFTING ROCK SHAFT BUSHING (2)	10	14
CT415297	SPREADER DRIVING ROCK SHAFT BUSHING (2)	12	11
CT415308	LIFTING ECCENTRIC SPACING COLLAR WITH TWO CT414529	2	16
CT415342-451	LOOPER THREAD TUBE COVER	16	30
CT415357	NEEDLE THREAD TENSION RELEASER	16	19
CT415368	SPREADER DRIVING CONNECTION NEEDLE BEARING	8	54
CT415389	SPREADER DRIVING ROCK SHAFT WITH CT504019	12	12
CT415500	LOOPER DRIVING CONNECTION BUSHING	10	34
CT415500	LOOPER CARRIER BUSHING (2)	10	43
CT418465	LOOPER DRIVING CONNECTION WASHER	8	7
CT500264-833	LOOPER DRIVING CRANK SET SCREW	8	3
CT500264-833	FEED DRIVING ROCK FRAME SET SCREW	10	12
CT500272-833	NEEDLE BAR CRANK SET SCREW	2	6
CT504019	LOOPER THREAD TAKE-UP ROD SET SCREW	12	21
CT504019	THREAD LUBRICATOR SCREW	18	12
CT504020	LIFTING ROCK SHAFT COLLAR SET SCREW (2)	6	8
CT504020	FEED LIFTING ROCK SHAFT COLLAR SET SCREW (2)	10	24
CT504020	SPREADER DRIVING ROCK SHAFT COLLAR SET SCREW (4)	12	19
CT504048	NEEDLE THREAD TENSION RELEASER CAP SET SCREW	16	25
CT541166-001	LIFTING ROD CONNECTION NUT (3)	14	24
CT541166-003	FOOT LIFTER LEVER ROD HINGE SCREW NUT	14	7
CT541197	NEEDLE BAR ROCK FRAME DRIVING CONNECTION HINGE STUD NUT	6	26
CT541197	FEED LIFTING CONNECTION HINGE STUD NUT	8	18
CT541197	FEED DRIVING CONNECTION HINGE STUD NUT	8	34
CT541198	LOOPER CARRIER CRANK CLAMPING STUD NUT	10	40
CT541198	PRESSER BAR SPRING HOUSING NUT (2)	14	17
CT541200	FEED DOG SHANK ADJUSTING SCREW LOCK NUT	10	6
CT541452	LOOPER THREAD TENSION THUMB NUT	20	23
CT543804-004	FEED DOG SHANK SCREW WASHER	10	8
CT543804-004	LOOPER HOLDER SCREW WASHER	10	47
CT543804-004	FOOT LIFTER LEVER ROD HINGE SCREW WASHER	14	6
CT543808-002	SPREADER DRIVING ECCENTRIC PIN	8	50
CT543841-001	LIFTING ROCK SHAFT BRACKET POSITION PIN (2)	6	16
CT543850-001	NEEDLE THREAD TENSION RELEASING PLATE PIN	14	4
CT543853-003	NEEDLE THREAD TENSION BRACKET SPACING COLLAR (2)	16	20
CT543853-003	LOOPER THREAD TENSION BRACKET SPACING COLLAR (2)	20	25
CT543874-005	LIFTING LEVER HINGE SCREW WASHER	14	30
CT544203-001	SPREADER DRIVING ROCK SHAFT SCREW STUD BALL ROLLER SET SCREW	8	56
CT544204-001	FEED BAR SET SCREW (2)	10	17
CT544204-001	LOOPER CARRIER SHAFT COLLAR SET SCREW (2)	10	50
CT544201-001	SPREADER DRIVING CRANK SET SCREW (2)	12	14
CT544208-005	COUNTERBALANCE SET SCREW (2)	2	41
CT544208-005	FEED LIFTING ECCENTRIC SET SCREW (2)	8	11
CT544209-003	LOOPER CARRIER SHAFT SET SCREW	10	51
CT544209-005	ARM SHAFT THRUST COLLAR SET SCREW (2)	2	55

PART NO.	DESCRIPTION	PAGE	NO.
CT544209-005	BED SHAFT THRUST COLLAR SET SCREW (2)	8	62
CT544209-005	BED SHAFT PULLEY SET SCREW (2)	8	65
CT544211-052	LOOPER THREAD GUIDE SET SCREW	20	29
CT544217-052	BED COVER SCREW (7)	20	15
CT544286	LIFTING ECCENTRIC FLANGE FRICTION PLATE SCREW (2)	2	33
CT544301	LIFTING PRESSER BAR GUIDE ROD SET SCREW (UPPER)	4	44
CT544322	LIFTING LEVER HINGE STUD SET SCREW (2)	4	9
CT544325	FEED DRIVING ECCENTRIC ADJUSTING DISC SPRING COLLAR SET SCREW (2)	8	48
CT544336	ARM SHAFT BALL BEARING (BACK) HOUSING SCREW (3)	2	47
CT544336	FOOT LIFTER LEVER SPRING SCREW	14	10
CT544336	NEEDLE THREAD TENSION BRACKET SCREW (2)	16	22
CT544358	NEEDLE BAR CRANK POSITION SCREW CHECK SCREW	2	5
CT544381	BOTTOM PLATE SCREW (6)	20	33
CT544499-072	LIFTING LEVER HINGE SCREW	14	28
CT544875	ARM PLUG	16	6
CT545174-452	FACE PLATE HINGE STUD SET SCREW (2)	18	3
CT545205-451	NEEDLE BAR CRANK COVER SCREW (2)	2	8
CT545205-451	PRESSER BAR SPRING HOUSING SUPPORT RETAINER SCREW (2)	14	14
CT545213	FOOT LIFTER ARM SET SCREW	6	36
CT545213	FEED LIFTING LINK HINGE PIN SET SCREW	10	18
CT545213	FEED LIFTING LINK HINGE PIN SET SCREW	10	27
CT545246-452	ARM SIDE COVER SCREW (4)	18	10
CT545249-452	FEED REGULATING STUD SOCKET SCREW	20	11
CT545297	NEEDLE BAR ROCK FRAME DRIVING CONNECTION CAP SCREW	6	27
CT545297	FEED DRIVING CONNECTION CAP SCREW	8	35
CT545405	PRESSER BAR SPRING ARM HINGE SCREW NUT	14	21
CT545424	SPREADER DRIVING ROCK SHAFT SCREW STUD NUT	12	17
CT547670	SPREADER SCREW WASHER	12	4
CT548035	LIFTING ROCK SHAFT CRANK PIN	6	4
CT548154	PRESSER BAR SPRING ARM HINGE SCREW WASHER	14	20
CT548459	LOOPER CARRIER CRANK CLAMPING STUD WASHER	10	41
CT549024	NEEDLE BAR CRANK POSITION SCREW	2	4
CT549024	FEED DRIVING ROCK FRAME POSITION SCREW	10	11
CT559029	FACE PLATE WITH CT268033 AND TWO EACH CT228661 AND CT545174-452	18	1
CT559032	FACE PLATE LOCKER	18	14
CT559033	BOTTOM PLATE	20	31
CT559034	BOTTOM PLATE GASKET	20	32
CT559035	BED PLATE (LEFT)	20	3
CT559037	BED PLATE (RIGHT)	20	1
CT559038	BED SHAFT WITH CT268044, CT268214, CT268265 AND CT414578	8	21
CT559040	BED SHAFT PULLEY	8	64
CT559041	LOOPER CARRIER WITH TWO CT145500	10	42
CT559044	LOOPER CARRIER SHAFT SUPPORTING PLATE	10	52
CT559046	FEED BAR	10	16
CT559049	FEED DRIVING ROCK FRAME	10	10
CT559051	FEED BAR HINGE PIN	10	13
CT559052	FEED LIFTING ROCK SHAFT	10	22
CT559055	LOOPER HOLDER	10	44
CT559057	VIBRATING PRESSER FOOT	4	37
CT559059	LIFTING PRESSER FOOT	4	46
CT559060	THROAT PLATE	20	4
CT559061	FEED DOG	10	1
CT559064	FEED DOG SHANK	10	4
CT559065	SPREADER BAR	12	9
CT559067	LIFTING ROD CONNECTION (LOWER)	14	26
CT559068	LIFTING ROD	14	25
CT559069	LIFTING LEVER	14	27
CT559070	LIFTING LEVER HINGE SCREW COLLAR	14	29
CT559071	LIFTING LEVER LATCH PLATE	14	31
CT559072	LOOPER COVER	20	16
CT559073	LOOPER COVER THUMB SCREW	20	18
CT559074	BED COVER (LEFT)	20	17
CT559075	BED COVER (BACK)	20	12
CT559076	BED COVER (FRONT)	20	14
CT559077	PRESSER BAR SPRING HOUSING COLLAR	14	16
CT559078	LOOPER THREAD GUIDE (PIPE)	20	30
CT559079	ARM SIDE COVER	18	9